

ICW UL500i CEILING MOUNT INSTALLATION

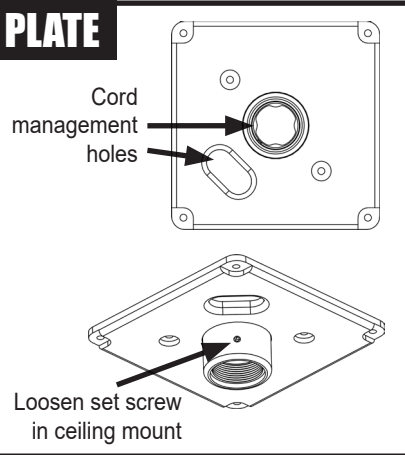
ICWUSA.com, Inc.

If you have any questions please call Toll Free 1-800-558-4435

Mount Arm

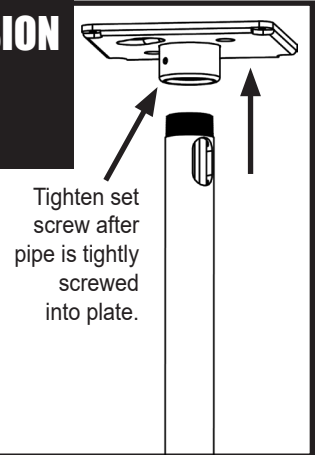
MOUNT SQUARE CEILING PLATE

Using four 1/4 x 2" lag bolt provided in hardware bag, secure ceiling mount to a solid wood surface or ceiling joist. Use square pattern or inline pattern, always being sure to use all 4 bolts. Run cords through center hold or the cord management port. Be sure to loosen set screw BEFORE attaching ceiling pipe.



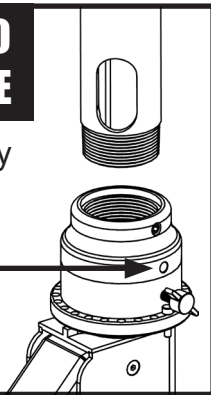
ATTACH EXTENSION PIPE TO CEILING MOUNT PLATE

Thread the extension pipe into the ceiling mount plate and tighten the set screw.



ATTACH ARM TO EXTENSION PIPE

Thread arm tightly onto extension pipe then tighten set screw.



CLEANING OF THE ICW MOUNTING DEVICE

When cleaning your ICW mounting unit please follow the points below. Proper cleaning of the mounting device will help assure proper function and extend the life of the unit.

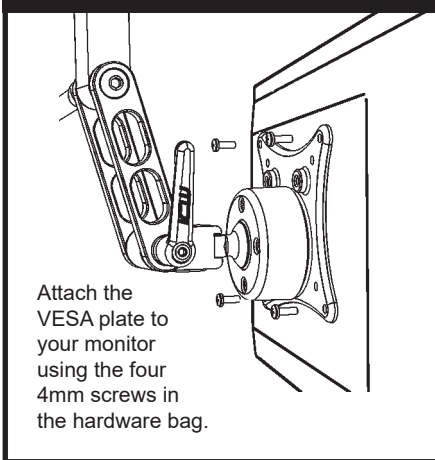
1. Any general cleaner is acceptable except degreasers are not recommended near the bearing entrances.
2. Spray cleaner or water on a soft cloth or paper towel and then wipe down the mounts.
3. Do not spray directly at the bearing seams (located at all swivel points) as this could reduce the life of the bearings.

NOTICE: ICWUSA.COM, Inc. provides the appropriate hardware fasteners to match the majority if not all standard monitors and devices. It is the responsibility of the installer / integrator to ensure that the screws and fasteners have the adequate thread engagement. The rule of thumb is that the thread depth is greater than the diameter of the hole or 4 full turns of 360 degrees of thread engagement. It is also the responsibility of the installer / integrator to ensure that they do not damage the monitor or device by using a screw or fastener that is too long for hole and therefore damaging the unit by inserting too far.

Mount Monitor

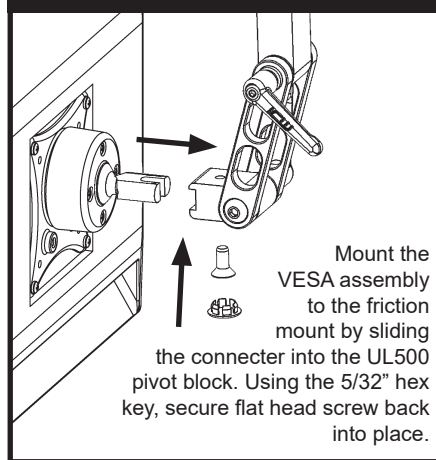
ATTACH VESA TO MONITOR

Attach the VESA plate to your monitor using the four 4mm screws in the hardware bag.



ATTACH VESA TO UL 500

Mount the VESA assembly to the friction mount by sliding the connector into the UL500 pivot block. Using the 5/32" hex key, secure flat head screw back into place.



ADJUST TILT HANDLES

Use the handles to adjust the tilt of the monitor.

