

# Ultra 510 Pole Mount

PRODUCT SHEET

UL510-P17-A2

The Ultra 510 LCD arm is widely used in medical and dental environments.

Move components together—  
adjust them separately

**6** WAY  
TILT & ROTATE

90°  
screen  
tilt

6"  
(15.2 cm)  
vertical  
monitor  
adjustment



Ultra Laptop Tray  
LTU-W3-A2

Ultra 510 Pole Mount  
with LCD  
UL510-P17-A2

Internal cable management  
creates a neater appearance,  
protects wires

360°  
arm swivel

Mount options  
Wall, wall track,  
desk and pole  
mounts

90°  
tilt at  
each  
joint

360°  
monitor  
swivel

Adjustable  
rotation stops



Ultra 510 Pole Mount  
with Keyboard Tray  
UL510-R2-KUB

Full articulation of the  
monitor and keyboard

- Two articulating joints provide 90° of tilt adjustment.
- This system can be mounted with two articulating extension arms, allowing for up to 37.5" of reach with a keyboard tray.
- Machined from billet aluminum, the unit is powder coated for a durable, lasting finish.
- Hand assembly ensures that a quality product is shipped to you.

Monitor, keyboard and mouse not included.



Maximum  
Reach

40" (102 cm)



Screen  
Swivel

360°



Screen  
Tilt

90°

- Load capacity: 18 lbs (8.2 kg)
- Maximum reach: 23" (58 cm) with LCD only, 40" (102 cm) with LCD and keyboard
- Stowed depth: 4.5" (11.4 cm) LCD only, 9.75" (24.8 cm) LCD and keyboard
- Arm swivel at mount: 360°
- Screen swivel: 360°
- Screen tilt: 90°
- VESA interface: 75 mm and 100 mm

Need a custom solution?  
Contact your ICW Rep  
for more information.

Range  
of Motion  
Video



Select a color

Specify one of our durable powder  
coated finishes with your order:

Gloss White (MW), Writable Black (WB), A-dec Tan (T),  
Pelton Putty (P), and Quartz Gray (QG)



# Range of Motion and Dimension Drawings

**DESK MOUNT**  
**UL510-D5-KUB-A2**



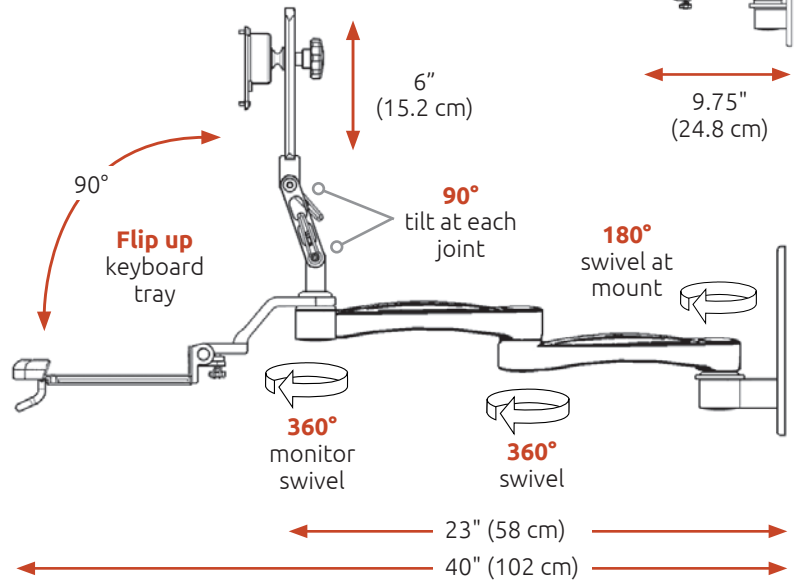
**WALL MOUNT**  
**UL510-W3-KUB-A2**



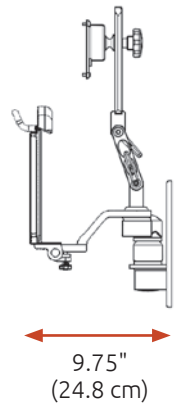
**WALL TRACK MOUNT**  
**UL510-T36-KUP-A1**



EXTENDED



STOWED



## WALL MOUNT OPTIONS



## DESK MOUNT OPTIONS

