



Attention VA Healthcare Facilities:

ICWUSA.com offers the world's largest selection of made-in-the USA computer and medical device mounts



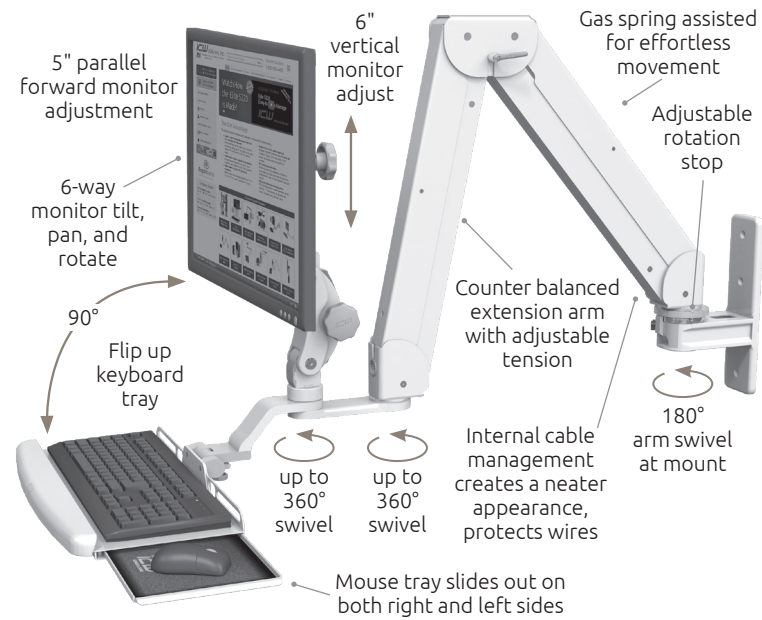
Special Pricing for VA Hospitals

Providing mounts for VA Hospitals since 2005

- Made in the USA
 - Free on-site survey and evaluation
 - Installation available
 - Can mount all computers and devices to any surface
 - Can mount any popular medical device
- World's largest selection of computer and medical device mounts
 - On-site custom mount solutions
 - Veteran-owned dealers available

Healthcare Computer Mounts

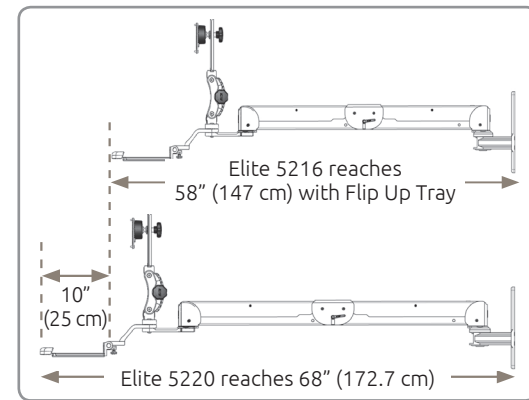
Elite 5216 Wall Mount



Specifications

Load Capacity	30 lbs (13.6 kg) LCD only 22 lbs (9.9 kg) LCD and Keyboard
Vertical Adjust Range	42" (106.7 cm)
Maximum Reach	56.25" (122.9 cm) LCD only 68" (172.7 cm) LCD and Keyboard Ultra Slide
Stowed Depth	10.5" (26.7 cm)
Arm Swivel at Mount	180°
Screen Swivel	360°
VESA Interface	75 mm and 100 mm
Mounting Options	Wall, Desk, Pole or Wall Track

Monitor, keyboard and mouse not included.



Ultra 182 and Ultra 180 Wall Mount

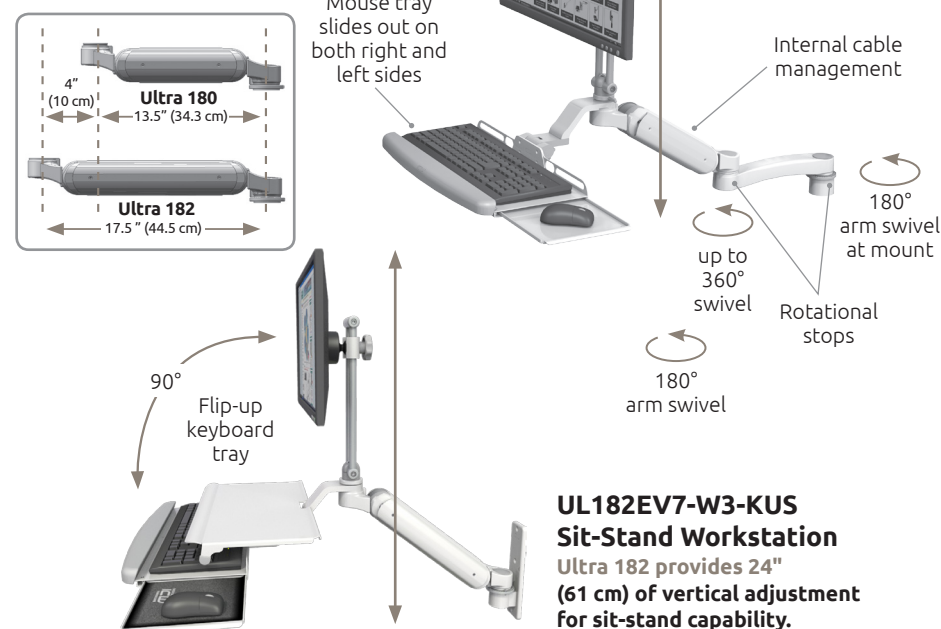
The only arm with smooth, stable 180° vertical lift and up to 360° horizontal rotation (PATENT 9243743)

The patented Ultra 180 arm offers full articulation of your monitor and keyboard while supporting up to 32 lbs (14.5 kg). Easy to install and cable manage, the arm provides 180° of vertical lift and up to 360° of horizontal rotation. The Ultra 180 stows close to the wall, making it the perfect choice for tight spaces.

Specifications

Load Capacity	32 lbs (14.5 kg)
Maximum Reach (UL180)	15.5" (39.4 cm) with LCD only 32.5" (82.6 cm) with LCD and Flip-Up Keyboard 38.5" (97.8 cm) with LCD, Flip-Up Keyboard and AS1 arm
Maximum Reach (UL182)	19.5" (49.5 cm) with LCD only 36.5" (92.7 cm) with LCD and Flip-Up Keyboard 42.5" (108 cm) with LCD, Flip-Up Keyboard and AS1 arm
Vertical Adjustment Range	UL180: 16" (40.6 cm) UL182: 24" (61 cm)
Stowed Depth	10" (25.4 cm)
Horizontal Rotation	180° at wall 270° at A1 joint
Monitor Tilt	50°
Monitor Pan Left to Right	270°
Monitor Rotation	Landscape to portrait position
VESA Interface	75 mm and 100 mm

Monitor, keyboard and mouse not included.



The Ultra 180 and Ultra 182 arms are protected by U.S. Patent 9,243,743.

Computer & Medical Device Mounts

Double Elite Ceiling Mount

Ideal for ceiling mount with a keyboard.

- **MOUNT** stows conveniently overhead and rests 12" from the base of the drop pole.
- **FULLY CONCEALED** internal cable management protects cabling.
- **REMOVABLE STOP PIN** prevents mount from turning 180° and twisting cables internally.
- **ADJUSTABLE DROP POLE** has two retracting options — 19 to 26" (48.3 to 66 cm) and 26 to 37" (66 to 94 cm).
- **STOWS SAFELY** out of the way overhead.



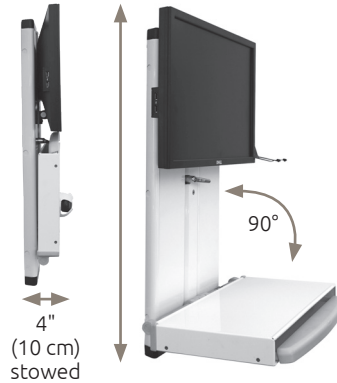
Specifications

Maximum Reach	63" to 78" (160 cm to 198.1 cm)
Load Capacity	30 lbs (13.6 kg) with LCD only 22 lbs (10 kg) with LCD and Keyboard
Vertical Movement	38" (96.5 cm)
Diameter of Motion	68" (172.7 cm)
Adjustable Drop Pole Options	XT24: 26" to 37" (66 cm to 94 cm) XT12: 19" to 26" (48.3 cm to 66 cm)

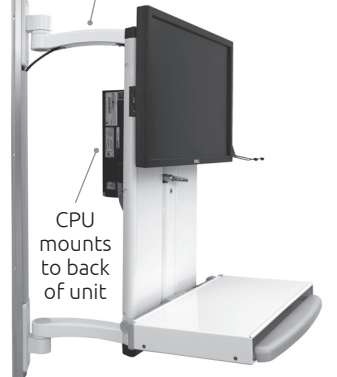
Monitor, keyboard and mouse not included.

VT21 Workstation

21" (53.3 cm) vertical movement



Dual extension arms provide 180° of horizontal swivel



VTLP Specifications

Vertical Adjust. Range	21" (53.3 cm)
Extended Depth with Keyboard Tray	17" (43.2 cm)
Stowed Depth (mounts flat against wall)	4" (10 cm)

Monitor (not included) does not rotate or tilt.

VTTM Dual Arm Specifications

Vertical Adjust. Range	21" (53.3 cm)
Extended Depth with Keyboard Tray	28" (71 cm)
Stowed Depth	7" (17.8 cm)
Horizontal Arm Swivel at Mount	180°

Monitor (not included) tilts, pans, and rotates.

Medical Device Mounts



GE Mount
UL180EV7-W3-KUB-A1



Welch Allyn Mount
DBWA1-W2-A1

ICW can mount all medical devices on walls, wall channels, medical carts, anesthesia machines and medical equipment.



Horizontal track for devices on an Armstrong healthcare cart.



Nihon Kohden Mount
ULBV-DBNK2-W2-A1



Philips Mount
DBPH1-W2-AS1

Accessories



**GX Series Compact
Monitor Mounts**



**CPU/UPS Mounts
for All Sizes**



**Wide-Range
Adjustable Mini-PC
and Scanner Mounts**

About ICWUSA.com, Inc.

ICW is a U.S.-based design, engineering and manufacturing company with modern facilities located in Medford, Oregon. The company produces high-quality, professional mounting systems for computer equipment and other instruments for medical, dental, clean room, custom and manufacturing/industrial markets. ICW's flexible, onsite manufacturing process enables the company to quickly respond to customer needs.



*Kingsley Building: Administration, Information Technology,
Engineering and Manufacturing*



Grumman Building: Assembly and Shipping

ICW Healthcare



MADE IN USA

Smart Mounts. Ergonomic Comfort. Solid Support.

1487 Kingsley Drive
Medford, Oregon USA 97504
www.icwusa.com
Email sales@icwusa.com

Call for information
Toll Free: 800-558-4435
Phone: 541-608-2824
Fax: 541-608-2797



icwhealthcare.com

