

EXPLORE **13 NEW** PRODUCTS
IN THE LARGEST SELECTION OF
MEDICAL-GRADE MOUNTING
SOLUTIONS IN THE WORLD



TABLE OF CONTENTS

| | |
|---|----------------------------|
| NEW RELEASES • 1, 8-9, 10-11, 12-15, 36-40, 44, 53, 55 | CEILING MOUNTS • 28-35 |
| PRODUCT REFERENCE • 2-3 | CABINET MOUNTS • 36-43 |
| MEDICAL DEVICE MOUNTS • 4-6 | DESK MOUNTS • 44-47, 50 |
| ROLLING STANDS • 7 | POLE & LOW PROFILE • 48-51 |
| WALL MOUNTS • 1, 8-27, 50-51 | ACCESSORIES • 52-55 |
| | CATALOG INDEX • 56 |

Enhance comfort and increase your productivity with our ergonomic mounts.

ICW MOUNTS ARE:

Customizable – Our standard mounts have been modularly designed to integrate with each other and they fit most customer applications. If you have a special mounting need, call us for a customized design. ICW offers onsite design, engineering and manufacturing services so we can quickly respond to your unique requirements.

Flexible – We design our mounts to move and adjust with fingertip control. You can easily position your monitor and keyboard exactly where you want them.

Stowable – Our products are designed to stow close to the wall so they tuck out of the way when your workspace is tight.

Extendable – When you need a mounting solution with maximum reach, contact us. Several of our products provide reach that equals the longest in the industry.

* Prices may be subject to change.

Durable – Arms and mounting systems are ruggedly designed and tested for commercial use. Our finishes are easy to clean and were developed to withstand sanitation required in healthcare and dental facilities.

Manageable – Our mounts are designed with optimum cable management, extending the safety and service life of your electronic devices and making sanitation easier.

Reliable – Thorough testing and field experience prove that ICW products stand up to the rigors of repeated commercial use. They are guaranteed to last! See our warranty on page 57.

QR code link to catalog:



icwusa.com

Colors

Match or complement your decor with our selection of three standard or 7 premium custom colors.

Standard Colors

Medical White (MW)

Matches Adec*

Most Popular Color

Gloss **White** gives equipment a spotlessly clean appearance that's easy to sanitize.

Black (WB)

Black is a satin finish that matches most black computer equipment.

Quartz Gray (QG)

Quartz Gray has a strong textured finish that matches most classic gray computer gear.

Custom Colors***

Tan (T)

Arctic Silver (SL)

Forest Gray (FG)

Pewter (PW)

Bronze (BR)

Shadow (SH)

Charcoal (CH)

** Color swatches are not an exact match due to variations in printing. Please ask your ICW representative for a paint chip sample.

*** Subject to custom color fee and longer lead time.

Catalog Index



We offer free workspace evaluations by our experts. If you would like to schedule one, feel free to give us a call.



ICWUSA.com offers the largest variety of custom mounts in the world.

MOUNTING LOCATION

| | |
|--------------------------------|-------------|
| Accessories..... | 52-55 |
| Cabinet Mounts..... | 36-43 |
| Ceiling Mounts..... | 28-35 |
| CPU Mounts..... | 53-55 |
| Desk Mounts | 44-47, 50 |
| Keyboard Trays | 52-53 |
| Laptop Mounts | 47 |
| Medical Device Mounts | 4-7 |
| Pole & Low Profile Mounts..... | 48-51 |
| Rolling Stands | 7 |
| Wall Mounts..... | 8-27, 50-51 |

MOUNTS ALPHABETICALLY

| | |
|---|------------|
| About ICWUSA.com, Inc. | Back cover |
| A1, AS1 Extension Arms | 6, 46 |
| CPU and Device Mounts | 53-55 |
| CPUMF Computer Mount..... | 55 |
| Desk Clamp Mount | 44 |
| Elite 5216 Wall Mount | 16-17 |
| Elite 5220 Wall Mount..... | 18-19 |
| Elite 6220 Ceiling Mount..... | 28-29 |
| Ergovision 65 Wall Mount..... | 50 |
| Ergovision 710 Desk Mount | 50 |
| Fixed Wall Mount..... | 51 |
| Galaxy 170, Galaxy 270..... | 51 |
| Keyboard Trays | 52-53 |
| Laptop Tray Mounts..... | 47 |
| Medical Device Mounts | 4-7 |
| Mounting Accessories..... | 52-55 |
| Overcabinet Mounts | 36-39 |
| Overhead Arm, Overhead Short Arm | 8-9 |
| Pole Mounts..... | 48-49 |
| Pro Slide Overcabinet Monitor Mount..... | 36-37 |
| Pro Slide Overcabinet Workstation | 38-39 |
| Pro Slide Undercabinet Workstation..... | 40-41 |
| Quick Ref. Healthcare Product Overview ... | 2-3 |
| Rolling Stands | 7 |
| Single Elite 5120 Ceiling Mount | 32-33 |
| Single Elite 5120 Wall Mount..... | 22-23 |
| Tablet Mount | 45 |
| Titan Arm Wall Mount | 26 |
| Titan Elite Ceiling Mount..... | 30-31 |
| Titan Elite Wall Mount..... | 20-21 |
| Ultra 95 Ceiling Mount..... | 34 |
| Ultra 180 Arms | 14-15 |
| Ultra 182 Arms | 12-13 |
| Ultra 500i Ceiling Mount | 35 |
| Ultra 500i Wall Track Workstation | 27 |
| Ultra 510 Desk Mount | 47 |
| Ultra 510 Wall Mount..... | 25 |
| Ultra 550 Desk Mount..... | 46 |
| Ultra 550 Wall Mount..... | 24 |
| Undercabinet Mounts and Keyboard... | 40-43 |
| VESA Quick Connect Plate..... | 53 |
| VT21, VT21HDMR, VTLP, VTTM, VT21-KUS | 10-11 |
| Wall Tracks..... | 21 |

Quick Reference Product Overview

Wall Mounts



| FEATURES | UL1821-OHAT | ELP5220-W2-KUB-SRVCTRY | T2EP-WT2-KUP | ELP5216-WT-KUB |
|------------------------|------------------|------------------------|------------------|------------------|
| Max Reach | 77.5" (196.9 cm) | 69" (175.3 cm) | 65" (165.1 cm) | 59" (149.9 cm) |
| Load Capacity | 28 lbs (12.7 kg) | 30 lbs (13.6 kg) | 30 lbs (13.6 kg) | 30 lbs (13.6 kg) |
| Vertical Adjust. Range | 24" (61 cm) | 38" (96.5 cm) | 19" (48.3 cm) | 28" (71.1 cm) |
| Arm Swivel at Wall | 180° | 180° | 180° | 180° |
| Arm Swivel at Mount | 360° | 270° | 270° | 270° |
| Stowed Depth | 4" (10.2 cm) | 10" (25.4 cm) | 10.5" (26.7 cm) | 10.5" (26.7 cm) |
| Page Ref. | 8-9 | 18-19 | 20-21 | 16-17 |



| FEATURES | UL180EV7-W3-KUS-A1 | UL550-W3-KPB-A2 | UL182EV7-W3-KUB | VT21HDMR-KUW |
|------------------------|--------------------|------------------|------------------|------------------|
| Max Reach | 47" (119.4 cm) | 43" (109.2 cm) | 35.5" (90.2 cm) | 23" (58.4 cm) |
| Load Capacity | 32 lbs (14.5 kg) | 30 lbs (13.6 kg) | 32 lbs (14.5 kg) | 25 lbs (11.3 kg) |
| Vertical Adjust. Range | 16" (40.6 cm) | 6" (15.2 cm) | 24" (61 cm) | 21" (53.3 cm) |
| Arm Swivel at Wall | 180° | 180° | 180° | N/A |
| Arm Swivel at Mount | 270° | 270° | 270° | N/A |
| Stowed Depth | 10" (25.4 cm) | 13.5" (34.3 cm) | 9.5" (24.1 cm) | 5.5" (14 cm) |
| Page Ref. | 14-15 | 24 | 12-13 | 10-11 |

CPU Mounts



| FEATURES | CPU12 | Clamp Style | Frame Style | MINIPC1212 |
|-----------|---|------------------------------------|-------------------------------------|--|
| Size | 8" (20.3 cm) (w) x 9" (22.9 cm) (h) x 2" (5.1 cm) (d) | 2" (5.1 cm) to 8" (20.3 cm) (w) | 1" (2.5 cm) to 11" (27.9 cm) (w) | For Micro Computers with a VESA Attachment |
| Page Ref. | 55 | 54 | 54 | 55 |

**ICWUSA features over 6,000 mounting solutions.
Here are popular configurations that are ideal for Healthcare.**

Ceiling Mounts



| FEATURES | ELP6220-XT24-KUB | T2EQ-C8X5 | ELQ5120-C8X12 | UL95-CU |
|------------------------|------------------|------------------|------------------|-------------------------|
| Max Reach | 42" (106.7 cm) | 44" (111.8 cm) | 27" (68.6 cm) | N/A |
| Load Capacity | 22 lbs (10 kg) | 28 lbs (12.7 kg) | 28 lbs (12.7 kg) | 18 lbs (8.2 kg) |
| Vertical Adjust. Range | 38" (96.5 cm) | 19" (48.3 cm) | 19" (48.3 cm) | 13.5-32" (34.3-81.3 cm) |
| Arm Swivel at Mount | 270° | 360° | 360° | 360° |
| Page Ref. | 28-29 | 30-31 | 32-33 | 34 |

Specialty Mounts



| FEATURES | UL180IBV-PS28-D1-A1 | LUS-W2-AS1 | TABS-DM | UL180HP-W3-KUB-AS1 / DMR |
|------------------------|---------------------|------------------|------------------|--------------------------|
| Max Reach | 28" (71.1 cm) | 26" (66 cm) | 17.5" (44.5 cm) | 38" (96.5 cm) |
| Load Capacity | 32 lbs (14.5 kg) | 28 lbs (12.7 kg) | 28 lbs (12.7 kg) | 42 lbs (19.1 kg) |
| Vertical Adjust. Range | 12" (30.5 cm) | N/A | 8" (20.3 cm) | 16" (40.6 cm) |
| Arm Swivel at Wall | N/A | 180° | N/A | 180° |
| Arm Swivel at Mount | Up to 360° | 270° | 360° | 270° |
| Page Ref. | 43 | 47 | 45 | Available Upon Order |

Accessories



**Wall Tracks and
CPU Mounts
available
upon order**

| FEATURES | VESA Quick Connect (VQC) | GX170 / GX270 Pivoting Wall Mount | Device Cable Hook |
|------------|---|--|---------------------------------------|
| Attributes | Easily Remove Monitors and Mini Computers | 4" (10.2 cm) to 9" (22.9 cm) from wall | 8" (20.3 cm) (w) x 3.25" (8.3 cm) (h) |
| Page Ref. | 53 | 51 | 6 |

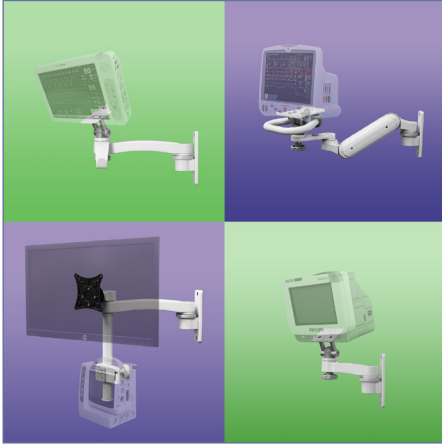
Medical Device Mounts



ATTENTION BIO-MED DEPARTMENTS!

ICWUSA.com manufactures Medical Device Mounts for most medical devices.

ICW's Medical Device Mounts are able to mount on anesthesia carts, OEM carts, headwalls, wall tracks, wall mounts and pole mounts. Contact us at 1-800-558-4435 for a complimentary evaluation walk through.



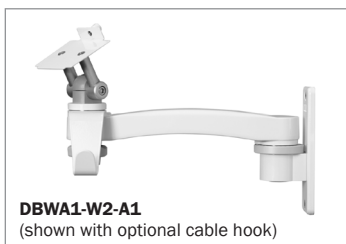
UL180BV-DBNK2-W2-A1-AS1
(shown on left side)

UL180EV7-KUB-W2-A1
(shown on right side)

MEDICAL DEVICE MOUNTS



DBPH1-W2-AS1



DBWA1-W2-A1
(shown with optional cable hook)



UL180-DBGE3-W2
with optional handle
(shown with optional cable hook)



ULBV-DBNK2-W2-A1



UL180-DBPH4-W2

DEVICE BRACKETS



DBPH1 with optional hook and/or handle (not shown)



DBWA1 with optional hook and handle (not shown)

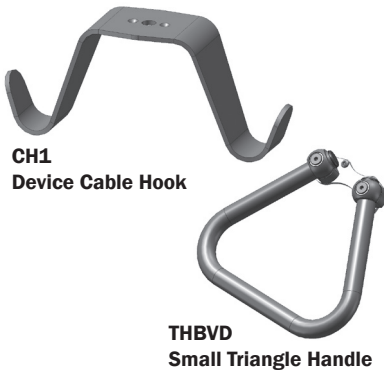


ULBV-DBNK2



DBGE1 with optional hook and handle (not shown)

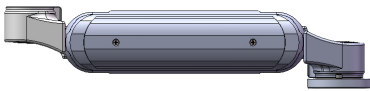
OPTIONAL AMENITIES



CH1
Device Cable Hook

THBVD
Small Triangle Handle

ARTICULATING ARMS



Ultra 180
Articulating arm with
13.5" of reach

Ultra 180
See pages 14-15
for details.

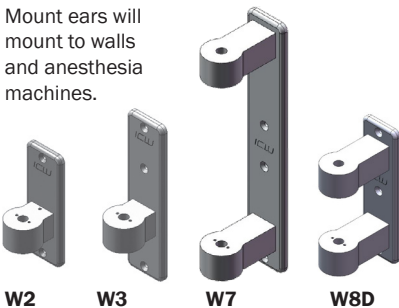


Ultra 182
Articulating arm with
17.5" of reach

Ultra 182
See page 12-13
for details.

CHANNEL / WALL BRACKETS

Mount ears will
mount to walls
and anesthesia
machines.



W2

W3

W7

W8D

EXTENSION ARMS



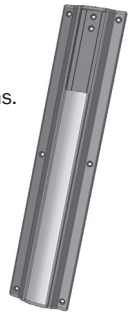
AS1
Rigid arm with 6" of reach



A1
Rigid arm with 10.5" of reach

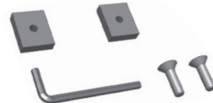
TRACKS

MD track available
in 19", 26", 36" and
50" standard lengths.
Custom Lengths
also available.

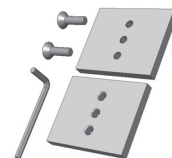


**Wall Track
Options**
See page 21
for details.

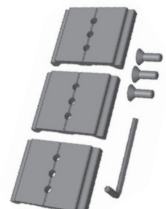
TRACK ADAPTERS



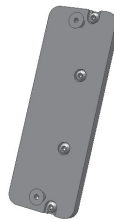
**TAW2
DRAEGER KIT**



**TAW2KIT
Universal
Flat Adapter**



**TAWD18KIT
Raised Track
Adapter**



**DODT
Channel
Track Adapter**



**AMDT
Track Adapter**

Rolling Stands

Whether you need a mobile workstation that can easily be moved from one area of a facility to another, or you're looking for the unit best suited for a doctor-to-patient telemedicine video assistance session, ICWUSA.com's expanding line of Rolling Stands provides the ideal solution for either situation.

NEW! VT21HDMR Workstation Rolling Stand (PA55VT21HKUWDMR-WB)



| SPECIFICATIONS | |
|---------------------------------|----------------------------|
| Adjustable Load Capacity | 20-35 lbs (9.1-15.9 kg) |
| Vertical Adjust. Range | 21" (53.3 cm) |
| Overall Base Diameter | 26" (66 cm) |
| Monitor Rotation | 360° |
| Monitor Tilt | 50° |
| VESA Interface | 75 mm and 100 mm |

Computer, monitor and keyboard not included.

NEW! TeleMed Cart (RS36X2UL180BV)



| SPECIFICATIONS | |
|---------------------------------|------------------------|
| Adjustable Load Capacity | 0-10 lbs (0-4.5 kg) |
| Vertical Adjust. Range | 16" (40.6 cm) |
| Maximum Horizontal Reach | 43.5" (110.5 cm) |
| Overall Base Diameter | 26" (66 cm) |
| Monitor Rotation | 360° |
| Monitor Tilt | 50° |
| VESA Interface | 75 mm and 100 mm |

NEW! Elite 5220 Workstation Rolling Stand (RSP35X2ELQ5280PT2-WB)



| SPECIFICATIONS | |
|---------------------------------|--------------------------------|
| Adjustable Load Capacity | 0-22 lbs (0-9.9 kg)* |
| Vertical Adjust. Range | 42" (107 cm) |
| Base Dimensions | 28 x 20" (71.1 x 50.8 cm) |
| Monitor Rotation | Landscape to portrait position |
| Monitor Tilt | 50° |
| VESA Interface | 75 mm and 100 mm |

Monitor and keyboard not included.

*Load capacity depends on weight of base.

Ask about our additional Rolling Stand configurations

Overhead Arm

UL182iOHAT Wall TRACK Mount
UL182iOHAP Wall PLATE Mount

Exceptional reach for a monitor

ICW's unique overhead mounting arm is an excellent solution for healthcare and dental environments. It's also ideal for industrial applications including shipping and receiving, and factories that require long reach and extensive range of motion for a monitor. Attaches to wall on a track or plate, or can be mounted within or over a cabinet.

- **ATTACHES** to the wall or above a cabinet, providing 180° of horizontal rotation at the mount.
- **PROVIDES** up to 360° of horizontal rotation for a monitor.
- **CONVENIENTLY STOWS** just 4" (10.2 cm) from the wall and monitor can be pulled out when needed.
- **INTERNAL WIRE MANAGEMENT** for regular or low voltage.
- **POWDER COATED** for durability in your choice of 14 color options.



Wall Track Mount
 See page 21 for details.

| SPECIFICATIONS | Standard Overhead Arm UL182i-OHAT/OHAP | Overhead Short Arm UL182i-OHATS/OHAPS |
|----------------------------------|---|--|
| Load Capacity | 28 lbs (12.7 kg) | 28 lbs (12.7 kg) |
| Maximum Horizontal Reach | 77.5" (196.9 cm) with UL182 | 63" (160 cm) with UL182 |
| Vertical Adjustment Range | 56.5" (143.5 cm) | 42" (106.7 cm) |
| Horizontal Swivel | 24" (61 cm) | 24" (61 cm) |
| Stowed Depth | 180° at mount | 180° at mount |
| Mounting Surface | 4" (10.2 cm) | 4" (10.2 cm) |
| Ultra 182 Arm Swivel | Wall track or wall plate | Wall track or wall plate |
| Monitor Swivel | 360° | 360° |
| Monitor Tilt | 360° | 360° |
| VESA Interface | 90° | 90° |
| Finish | 75 mm and 100 mm | 75 mm and 100 mm |
| | Powder coat | Powder coat |

Monitor, keyboard and mouse not included.

Price:
\$1,840

Price:
\$1,840

Range of Motion Video

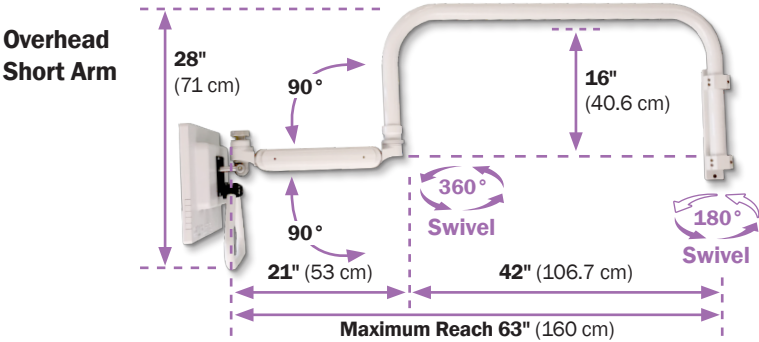


For more options visit our website or call your customer service representative

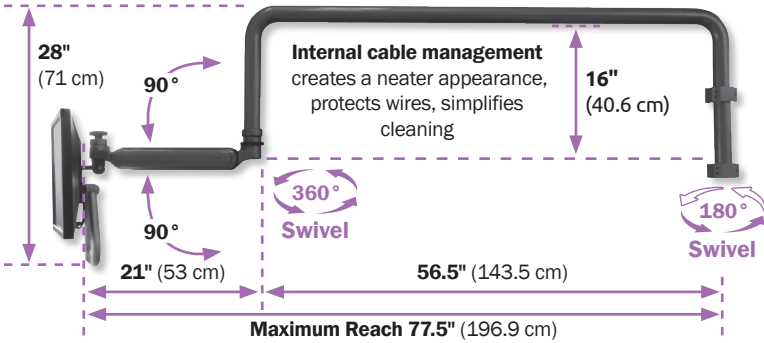
Overhead Short Arm

UL182iOHATS Wall TRACK Mount
UL182iOHAPS Wall PLATE Mount

Now there are two sizes to fit in any dental operatory



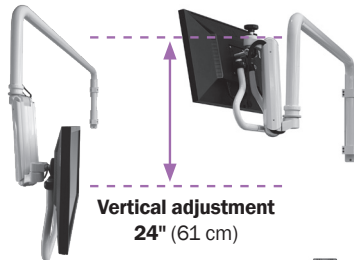
Standard Overhead Arm



Overhead Arm Movement and Features

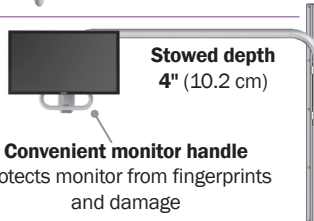


Wall Plate Mount



Monitor Swivel

360°



Standard Color Options

Medical White (MW)

Black (WB)

Quartz Gray (QG)

7 custom colors available upon request. See the inside cover.

AVAILABLE IN THREE MODELS: VT21, VTLP, VTTM, VT21HDMR

VT21 Workstation

Low profile SIT-STAND workstation in three models

INDUSTRY-LEADING
21" of vertical movement.

INDUSTRY-LEADING
4" of stowed depth.

TRUE SIT-STAND WORKSTATION.

- Quiet and smooth movement.
- All models are available with either our **WorkSurface Tray** or **Flip-Up Keyboard Tray**.
- **Load Capacity:** 25 lbs (11.3 kg)
- **15°** of total keyboard tilt.

Starting Price: \$1,179



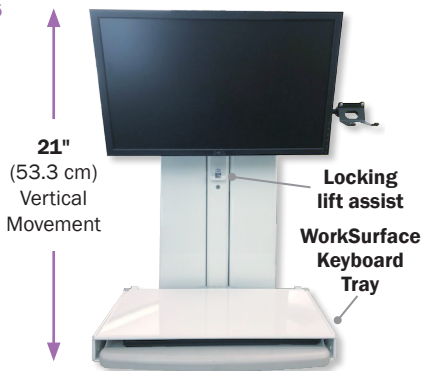
VT21HDMR Dual Monitor



| VT21HDMR SPECIFICATIONS | |
|--|---------------|
| Extended Depth | 17" (43.2 cm) |
| Stowed Depth (Monitor Swivel and Tilt) | 5.5" (14 cm) |

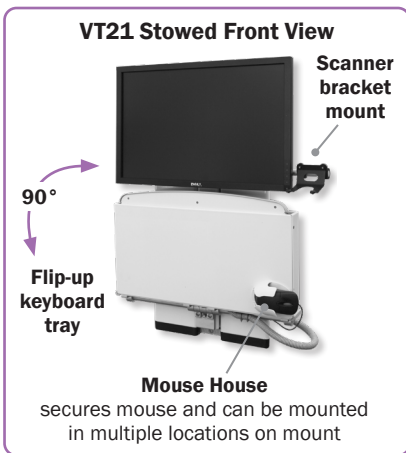
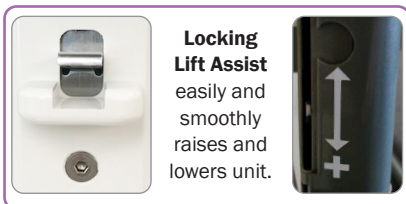
Monitor, keyboard and mouse not included.

VT21



| VT21 SPECIFICATIONS | |
|--|---------------|
| Extended Depth | 17" (43.2 cm) |
| Stowed Depth (Monitor Swivel and Tilt) | 5.5" (14 cm) |

Monitor, keyboard and mouse not included.



For more options visit our website or call your customer service representative

TRUE SIT-STAND workstation with 21" of vertical movement

VTLP Low Profile



VTLP SPECIFICATIONS

| | |
|--|---------------|
| Extended Depth | 17" (43.2 cm) |
| Stowed Depth (Mounts Flat Against Wall) | 4" (10.2 cm) |

Monitor, keyboard and mouse not included.

VT21-KUS

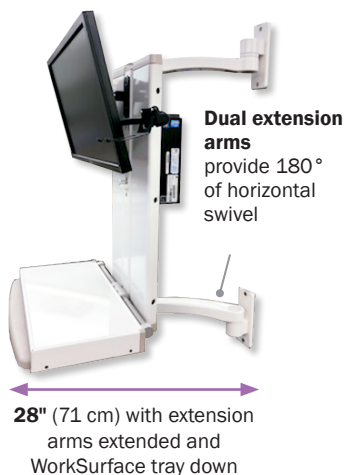


VT21-KUS SPECIFICATIONS

| | |
|---|---------------|
| Extended Depth | 17" (43.2 cm) |
| Stowed Depth (Monitor Swivel and Tilt) | 5.5" (14 cm) |

Monitor, keyboard and mouse not included.

VTTM Dual Arm

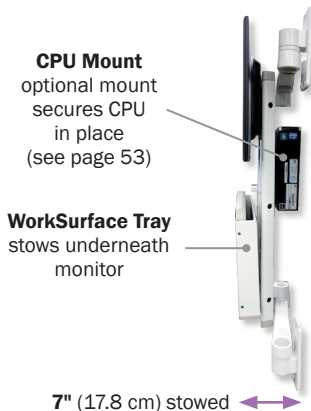


VTTM DUAL ARM SPECIFICATIONS

| | |
|---|--------------|
| Extended Depth with Extension Arms | 28" (71 cm) |
| Stowed Depth (Mounts Flat Against Wall) | 7" (17.8 cm) |
| Horizontal Swivel at Mount (Monitor Swivel and Tilt) | 180° |

Monitor, keyboard and mouse not included.

VTTM Stowed Side View



Standard Color Options

Medical
White
(MW)

Black
(WB)

Quartz
Gray
(QG)

7 custom colors available upon request. See the inside cover.

UL182EV7-W3-KUB-A1

Ultra 182 Arm

**INDUSTRY-LEADING Full 180°
and 24" of Vertical Adjustability**

The patented Ultra 182 offers an unprecedented range of motion and rotates at every joint (PATENT 9,243,743)

- **VERSATILE.** The Ultra 182 can be configured to your specific needs. Ideal for computer workstations, and for mounting medical and industrial devices.
- **COMPACT.** The Ultra 180 and Ultra 182 stow 10" (25.4 cm) from the mounting surface and are ideal for space-constrained areas.
- **CABLE MANAGEMENT** system conceals cables and routes them through the arm for a neater appearance and to simplify cleaning.
- **INVERTED mount capabilities for all Ultra 180 and Ultra 182 arms to increase reach and avoid chair rails.**

Ultra Arms Offer Industry-Leading Horizontal and Vertical Range of Motion



ULTRA 182

**NEW! ULTRA 182H
HEAVY DUTY**

| SPECIFICATIONS | Ultra 182 | Ultra 182H |
|--|--------------------------------|--------------------------------|
| Load Capacity | 0-32 lbs (14.5 kg) | 7-45 lbs (3.2-20.4 kg) |
| Maximum Horizontal Reach | 47" (119.4 cm) | 47" (119.4 cm) |
| Vertical Adjustment Range | 24" (61 cm) | 24" (61 cm) |
| Stowed Depth | 10" (25.4 cm) | 10" (25.4 cm) |
| Horizontal Rotation at Wall | 180° at mount | 180° at mount |
| Horizontal Rotation at A1 Joint | 270° at mount | 270° at mount |
| Monitor Tilt | 50° | 50° |
| Monitor Pan Left-to-Right | 270° | 270° |
| Monitor Rotation | Landscape to portrait position | Landscape to portrait position |
| VESA Interface | 75mm and 100mm | 75mm and 100mm |

Range
of Motion
Video



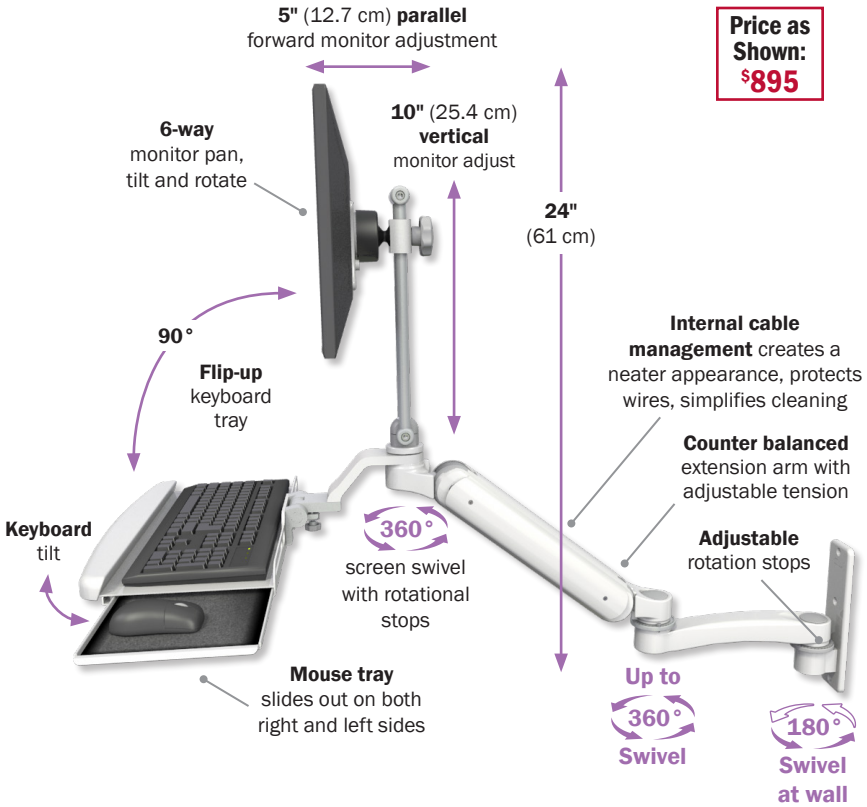
Monitor, keyboard and mouse not included.

The Ultra 180 and Ultra 182 arms are protected by U.S. Patent 9,243,743.

For more options visit our website or call your customer service representative

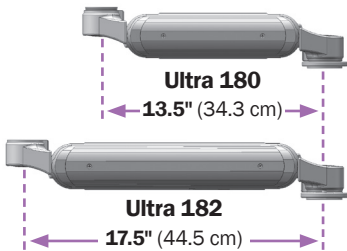
A true sit-stand workstation with 24" of vertical movement

Price as Shown:
\$895

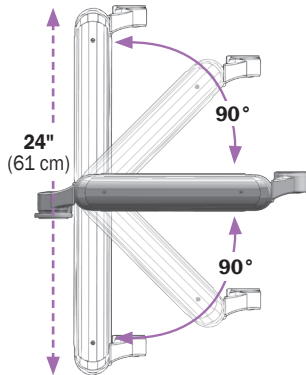


The Ultra 180 and 182 have identical range of motion

Ultra 182 and 180 Length Comparison



Ultra 182 Range of Motion



Standard Color Options

Medical White (MW)

Black (WB)

Quartz Gray (QG)

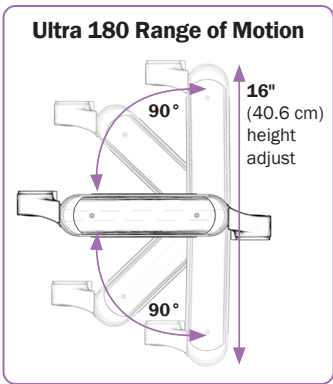
7 custom colors available upon request. See the inside cover.

UL180EV7-W3-KUB-A1

Ultra 180 Arm

The best and most versatile short arm in the world (PATENT 9,243,743)

Patented Ultra 180 arm offers full articulation of your monitor and keyboard while supporting up to 32 lbs (14.5 kg). Fully cable managed, it provides 180° of vertical arm rotation and up to 360° of horizontal rotation. The Ultra 180 stows close to the wall, making it the perfect choice for tight spaces.



Ultra Arms Offer Industry-Leading Horizontal and Vertical Range of Motion



| SPECIFICATIONS | Ultra 180 | Ultra 180H |
|--|--------------------------------|--------------------------------|
| Load Capacity | 0-32 lbs (0-14.5 kg) | 0-42 lbs (0-19.1 kg) |
| Maximum Horizontal Reach | 43.5" (110.5 cm) | 43.5" (110.5 cm) |
| Vertical Adjustment Range | 16" (40.6 cm) | 16" (40.6 cm) |
| Stowed Depth | 10" (25.4 cm) | 10" (25.4 cm) |
| Horizontal Rotation at Wall | 180° at mount | 180° at mount |
| Horizontal Rotation at A1 Joint | 270° at mount | 270° at mount |
| Monitor Tilt | 50° | 50° |
| Monitor Pan Left-to-Right | 270° | 270° |
| Monitor Rotation | Landscape to portrait position | Landscape to portrait position |
| VESA Interface | 75mm and 100mm | 75mm and 100mm |



Monitor, keyboard and mouse not included.

The Ultra 180 and Ultra 182 arms are protected by U.S. Patent 9,243,743.

For more options visit our website or call your customer service representative

Stowed View



10" (25.4 cm)

Stows tightly against wall

The **ONLY** arm with full 180° of vertical rotation!

Price as Shown: **\$820**

6-way monitor pan, tilt and rotate

Internal cable management creates a neater appearance, protects wires, simplifies cleaning

90° Flip-up keyboard tray

16" (40.6 cm) of height adjustment

180° vertical rotation

Keyboard tilt

Mouse tray slides out on both right and left sides

Up to 360° Swivel

180° Swivel at wall

43.5" (110.5 cm)

Mini PC Mount

mounts behind the monitor on VESA plate



UL180iEV7-W3-KUB-A1

Inverted Ultra 180 SRVCTRY

Flip-up Service Tray stows under monitor

Keyboard tilt



6-way monitor pan, tilt and rotate

The Ultra 180 arm is the perfect mount for any medical device.

UL180EV6-W3-A1 (top arm)

UL180-W3-KUW-A1 (bottom arm)

Price as Shown: **\$550**

Price as Shown: **\$830**

Standard Color Options

Medical White (MW)

Black (WB)

Quartz Gray (QG)

7 custom colors available upon request. See the inside cover.

ELP5216-WT-KUS

Elite 5216 Wall Mount

Our popular Elite series has a NEW addition

Dual monitor options available

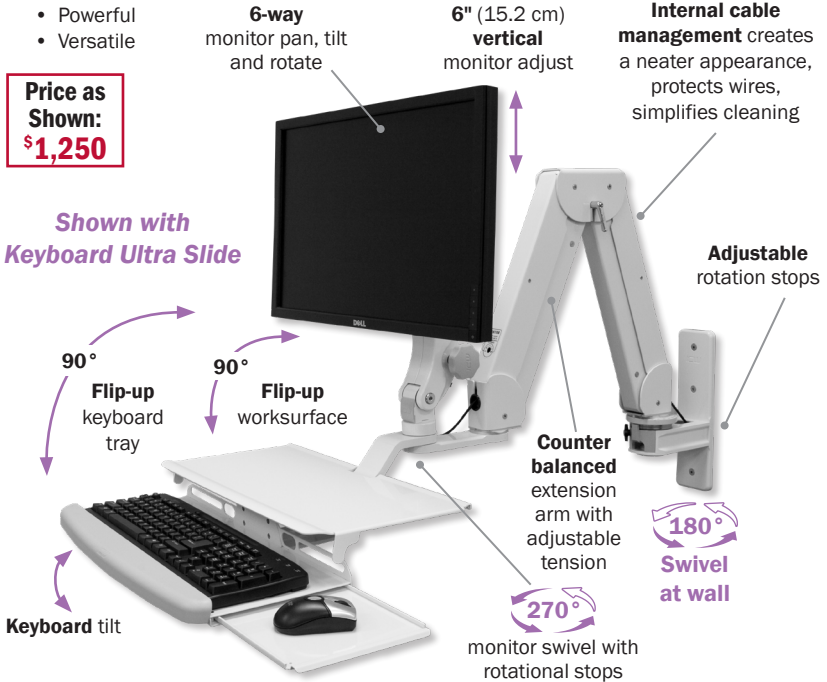
The Elite 5216 has all the features of the 5220 while being 10" shorter.

The Elite 5216 is:

- Compact
- Powerful
- Versatile

Price as Shown: **\$1,250**

Shown with Keyboard Ultra Slide



| SPECIFICATIONS | |
|-------------------------------|--|
| Load Capacity | 30 lbs (13.6 kg) with LCD only |
| | 22 lbs (10 kg) with LCD and Keyboard |
| Vert. Adjustment Range | 30" (76.2 cm) |
| Maximum Reach | 43" (109.2 cm) with LCD only |
| | 58" (147.3 cm) with LCD and Keyboard |
| | 64" (162.6 cm) with LCD and Keyboard Ultra Slide |
| Stowed Depth | 10.5" (26.7 cm) |
| Arm Swivel at Mount | 180° |
| Screen Swivel | 360° |
| Screen Tilt | 50° |

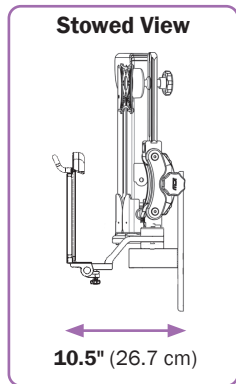
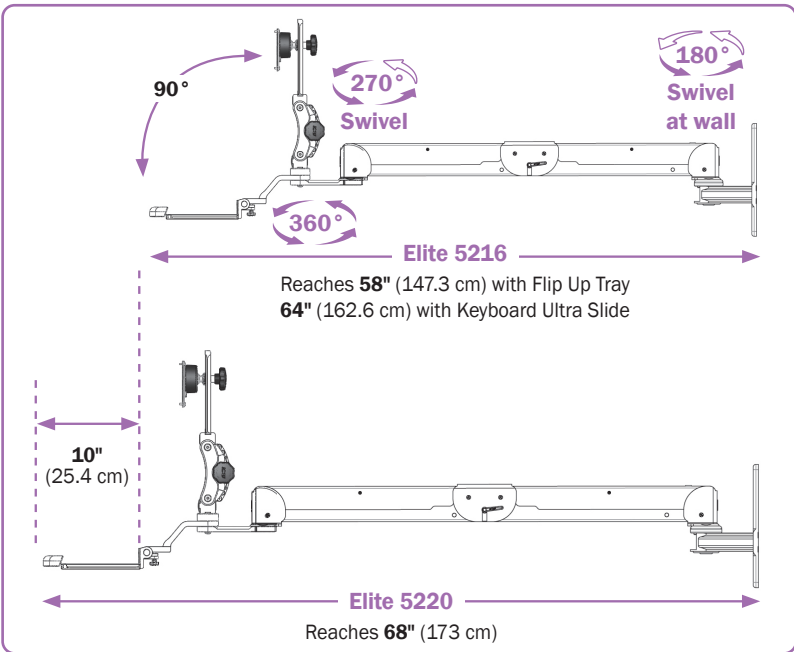
Range of Motion Video



Monitor, keyboard and mouse not included.

For more options visit our website or call your customer service representative

TRUE SIT-STAND workstation with 30" of vertical movement



Keyboard Options
See page 52-53 for details.

SEE WHAT'S NEW AT ICWUSA ON SOCIAL MEDIA

Standard Color Options

| | | |
|--------------------|------------|------------------|
| Medical White (MW) | Black (WB) | Quartz Gray (QG) |
|--------------------|------------|------------------|

7 custom colors available upon request. See the inside cover.

ELP5220-WT-KUB

Elite 5220 Wall Mount

Experience effortless movement, optimal viewing angles and unparalleled reach

Ideal in medical operating rooms and dental operatories, the double arm Elite 5220 supports up to 30 lbs (13.6 kg) while providing effortless movement. The Elite allows a monitor to be suspended and pulled out to a maximum reach of 68" (173 cm).

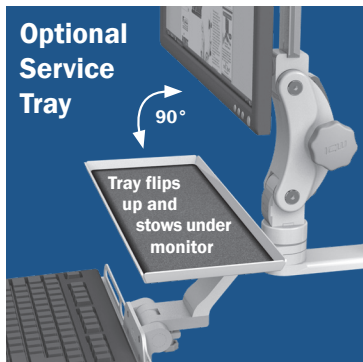
5" (12.7 cm) parallel forward monitor adjustment

| SPECIFICATIONS | |
|----------------------------|--|
| Load Capacity | 30 lbs (13.6 kg) with LCD only |
| | 22 lbs (9.9 kg) with LCD and Keyboard |
| Vert. Adjust. Range | 42" (106.7 cm) |
| Maximum Reach | 56.25" (142.9 cm) with LCD only |
| | 58" (147.3 cm) with LCD and Keyboard |
| | 68" (173 cm) with LCD and Keyboard Ultra Slide |
| Stowed Depth | 10.5" (26.7 cm) |
| Arm Swivel at Mount | 180° |
| Screen Swivel | 360° |
| Screen Tilt | 50° |
| VESA Interface | 75 mm and 100 mm |

6-way monitor pan, tilt and rotate

Price:
\$1,128

Monitor, keyboard and mouse not included.



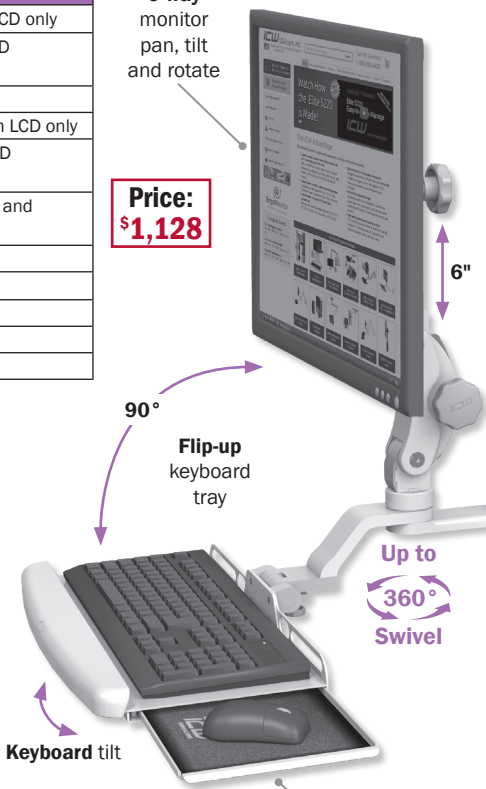
Service Tray Size: 16.25" x 5.625" (41.3 cm x 14.3 cm)

Tray swivel: 180°

Stows: Completely under monitor

ELP5220-WT-KUB
SRVCTRY

Price:
\$1,253



Keyboard Options

See pages 52-53 for details.

TRUE SIT-STAND workstation with 42" of vertical movement

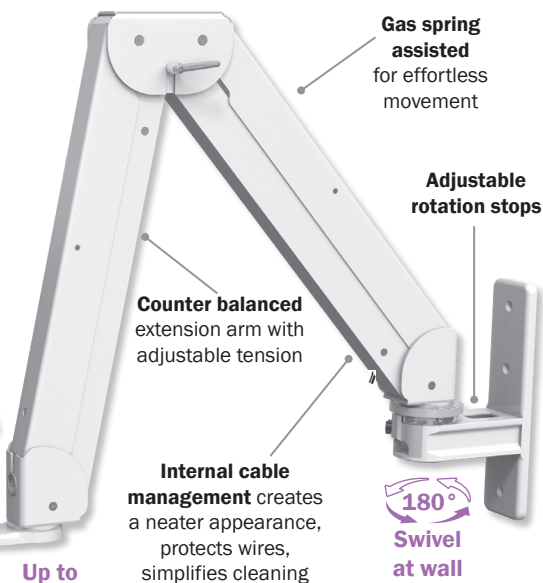
**Elite 5220
Laptop Mount
EL5220LTU-WT**

**Price:
\$865**



**Elite 5220
Monitor Mount
ELQ5280-WT**

**Price:
\$943**



Mounting Options

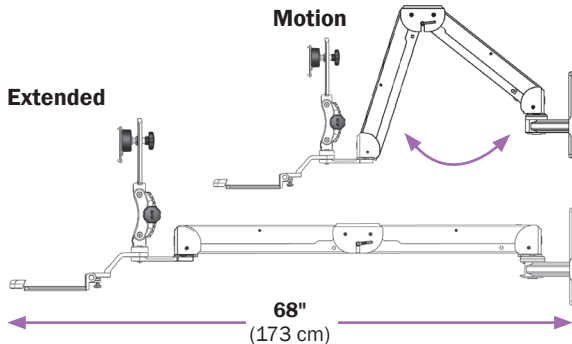
- Pole mounts, pages 48-49
- Wall track, page 21

**Range
of Motion
Video**

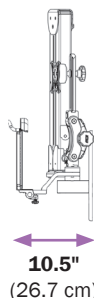


**180°
Swivel
at wall**

**Up to
270°
Swivel**



Stowed



Standard Color Options

Medical
White
(MW)

Black
(WB)

Quartz
Gray
(QG)

7 custom colors available upon request. See the inside cover.

T2EP-WT2-KUP

Titan Elite Wall Mount

Unparalleled reach, compact when stowed and frees up lower wall real estate

The Titan Elite enables a monitor and keyboard to extend up to 54.25" (137.8 cm) when needed, then stows the entire workstation just 10.5" (26.7 cm) from the wall. This arm is ideal for tight spaces in today's healthcare environments.

| SPECIFICATIONS | |
|----------------------------|--------------------------------------|
| Load Capacity | 30 lbs (13.6 kg) with LCD only |
| | 22 lbs (10 kg) with LCD and Keyboard |
| Vert. Adjust. Range | 21" (53.3 cm) |
| Maximum Reach | 54.25" (137.8 cm) |
| Stowed Depth | 10.5" (26.7 cm) |
| Arm Swivel at Mount | 360° |
| Screen Swivel | 270° |
| Screen Tilt | 50° |
| VESA Interface | 75 mm and 100 mm |

Monitor, keyboard and mouse not included.

5" (12.7 cm) parallel forward monitor adjustment
6" (15.2 cm) vertical monitor adjustment

Price as Shown:
\$1,095

Keyboard Options
See page 52-53 for details.

Range of Motion Video



Keyboard tilt
Accommodates most keyboards and monitors

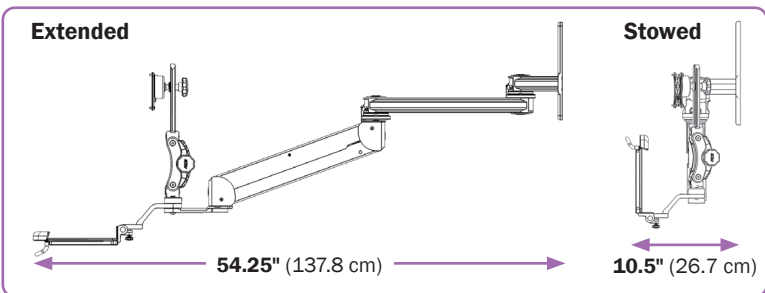
Wrist rest included

6-way monitor pan, tilt and rotate

90° Flip-up keyboard tray

Up to 360° Swivel

Mouse tray slides out on both right and left sides



TRUE SIT-STAND workstation with 21" of vertical movement

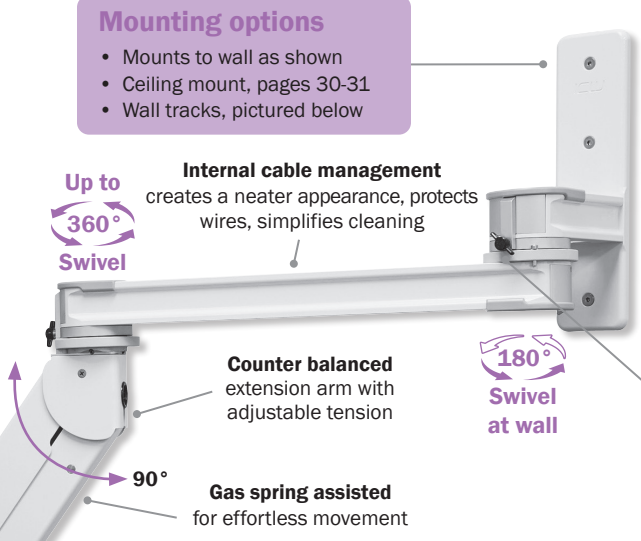
Mounting options

- Mounts to wall as shown
- Ceiling mount, pages 30-31
- Wall tracks, pictured below



Titan Elite Wall Mount for a Monitor T2EQ-WT2

Price as Shown: \$958



Adjustable rotation stops protect your equipment and facility

Wall Tracks

For MD, Elite and Titan Series Mounts

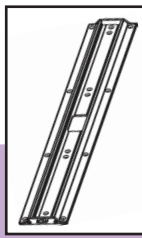
With the MD wall tracks, the load of all your wall mounted workstation components can be distributed along the length of the track. Most ICW wall mounts can connect to the MD track. Tracks include wire management covers, mounting hardware and track end caps.



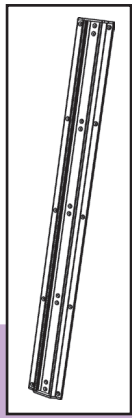
TMD19
Wall track 19"
\$70



TMD26
Wall track 26"
\$85



TMD36
Wall track 36"
\$109



TMD50
Wall track 50"
\$129

Track Adapter Cross Reference

| Product | Track Style & Adapter Part Number | | |
|----------------------------|-----------------------------------|---------------|-------------|
| | Ultra | Horizontal MD | Vertical MD |
| Ultra arm on W2 | | | TAW2KIT |
| Ultra arm on W3 | | | TAW3KIT |
| T2 & Elite arms | | | TAMDT2KIT |
| Frame CPU mount | TAICWCPUKIT | TAHZMTKIT | TACPUKIT |
| Clamp CPU mount | TAICWCPUKIT | | TAEZMTKIT |

Track adapter kits are available to fit most tracks from other major suppliers.

ELP5120-WT-KUB

Single Elite 5120 Wall Mount

Enjoy effortless movement and optimum viewing angle

The single arm Elite with Paralink Swivel enables a monitor and keyboard to be suspended from the wall and pulled out effortlessly when needed. The arm adjusts vertically, horizontally and rotates 180° so you can position it exactly where you want it.

| SPECIFICATIONS | |
|----------------------------|---|
| Load Capacity | 30 lbs (13.6 kg) with LCD only |
| | 22 lbs (10 kg) with LCD and Keyboard |
| Vert. Adjust. Range | 21" (53.3 cm) |
| Maximum Reach | 33.6" (85.3 cm) with LCD only |
| | 43.75" (111.1 cm) with LCD and Keyboard |
| Stowed Depth | 10.5" (26.7 cm) |
| Arm Swivel at Mount | 360° |
| Screen Swivel | 360° |
| Screen Tilt | 180° |
| VESA Interface | 75 mm and 100 mm |

Monitor, keyboard and mouse not included.

Price:
\$872

Keyboard Options
See page 52-53 for details.

Accommodates all keyboards and monitors

Mouse tray slides out on both right and left sides

Wrist rest included

Keyboard tilt

90°
Flip-up keyboard tray

5" (12.7 cm) parallel forward monitor adjustment

6-way monitor pan, tilt and rotate

6" (15.2 cm) vertical monitor adjustment

Up to 360° Swivel
Up to 360° Swivel

Ceiling Mount
ELQ5120-C8X12
also available.
See pages 32-33



Price:
\$733

TRUE SIT-STAND workstation with 21" of vertical movement



Price:
\$714



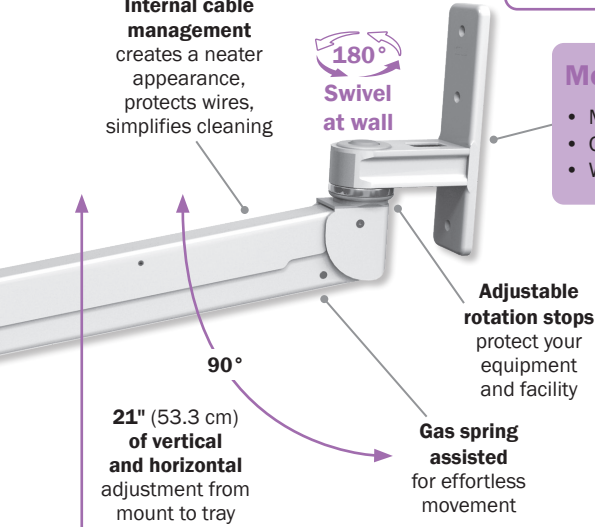
Price:
\$709

Internal cable management creates a neater appearance, protects wires, simplifies cleaning



Mounting Options

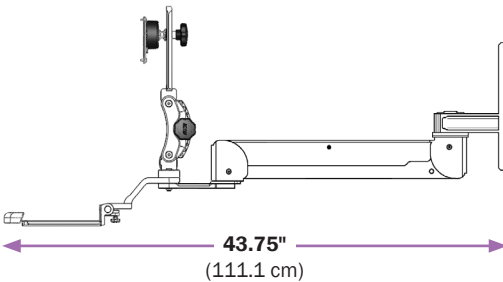
- Mounts to wall as shown
- Ceiling mount, pages 32-33
- Wall tracks, page 21



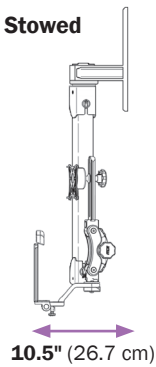
Range of Motion Video



Extended



Stowed



Standard Color Options

- Medical White (MW)
- Black (WB)
- Quartz Gray (QG)

7 custom colors available upon request. See the inside cover.

UL550-W3-KUB-A2

Ultra 550 Wall Mount

Ultimate flexibility with Paralink

The Ultra 550 arm with Paralink interface lets you easily adjust both monitor and keyboard to the most ergonomic and comfortable position. This arm reaches up to 37.5" (95.3 cm) and stows compactly just 9.75" (24.8 cm) from the wall.

DESK MOUNT ALSO AVAILABLE. SEE PAGE 46.

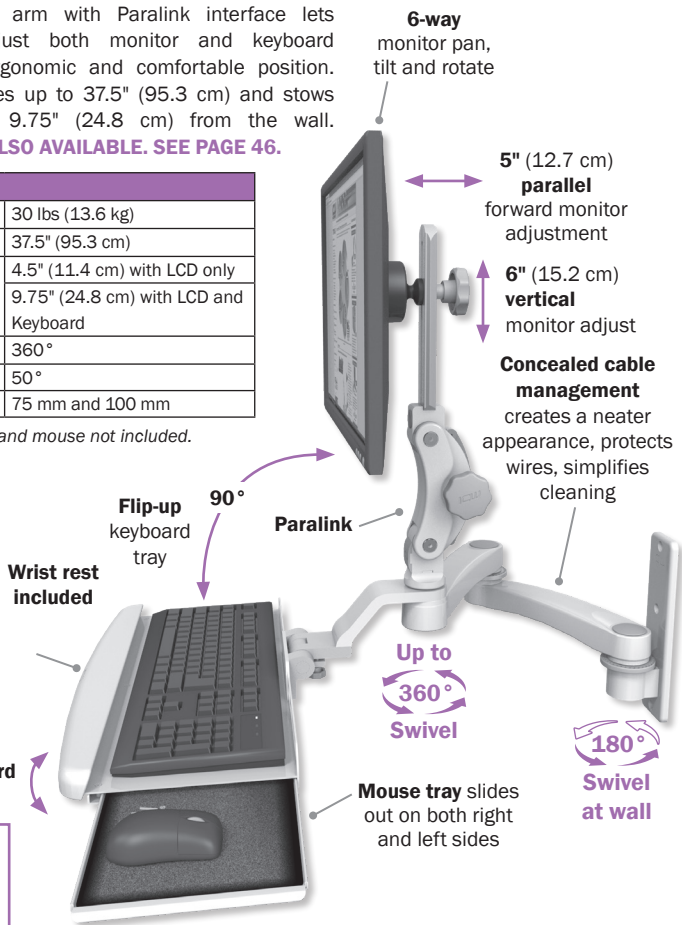
| SPECIFICATIONS | |
|-----------------------|---|
| Load Capacity | 30 lbs (13.6 kg) |
| Maximum Reach | 37.5" (95.3 cm) |
| Stowed Depth | 4.5" (11.4 cm) with LCD only 9.75" (24.8 cm) with LCD and Keyboard |
| Arm Swivel | 360° |
| Screen Tilt | 50° |
| VESA Interface | 75 mm and 100 mm |

Monitor, keyboard and mouse not included.

Price:
\$685



Track, pole and desk mount options available



Keyboard Options

See page 52-53 for details.

Mount Options

- W3** MD Wall mount 9.5"
- T19** Ultra Wall track 19"
- T36** Ultra Wall track 36"
- T50** Ultra Wall track 50"

Arm Extension Options

Ultra arms can be ordered as one or two 11" extensions.

UL510-W3-KUB-A2

Ultra 510 Wall Mount

**Move components together –
adjust them separately**

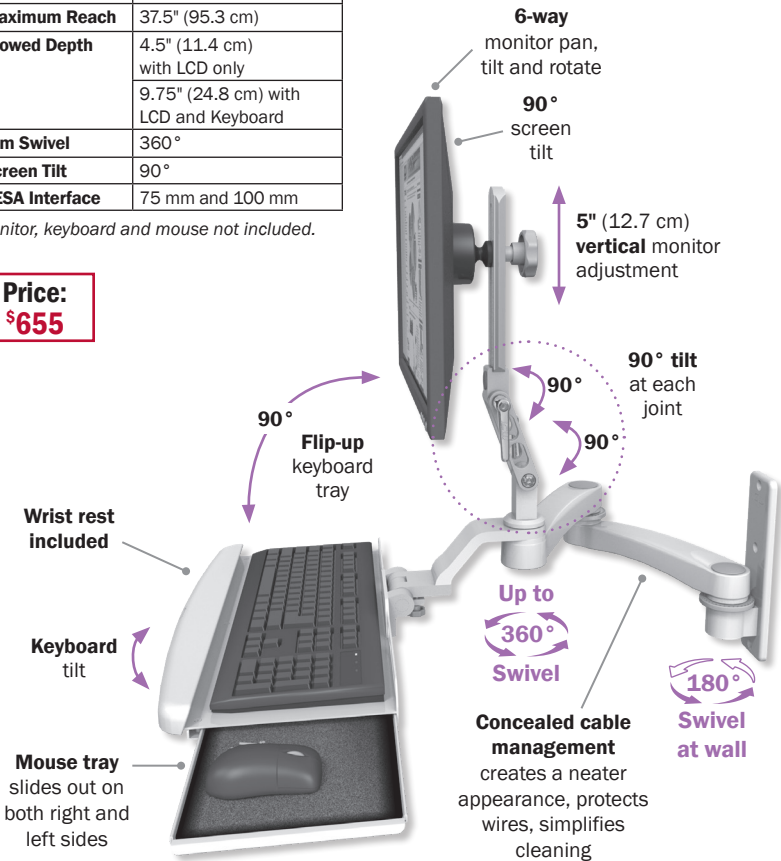
Widely used in medical and dental environments, the Ultra 510 arm allows full articulation of the monitor and keyboard. It has two articulating joints that together provide 90° of tilt adjustment with safety stops, and has two handles that lock positions. This system can be mounted with two articulating extension arms, allowing for up to 37.5" (95.3 cm) of reach with a keyboard tray. **DESK MOUNT ALSO AVAILABLE. SEE PAGE 47.**

Mount, keyboard, and arm extension options are the same as the Ultra 550 on previous page.

| SPECIFICATIONS | |
|-----------------------|---|
| Load Capacity | 18 lbs (8.2 kg) |
| Maximum Reach | 37.5" (95.3 cm) |
| Stowed Depth | 4.5" (11.4 cm) with LCD only 9.75" (24.8 cm) with LCD and Keyboard |
| Arm Swivel | 360° |
| Screen Tilt | 90° |
| VESA Interface | 75 mm and 100 mm |

Monitor, keyboard and mouse not included.

Price:
\$655



Standard Color Options

| | | | |
|--------------------|------------|------------------|---|
| Medical White (MW) | Black (WB) | Quartz Gray (QG) | 7 custom colors available upon request. See the inside cover. |
| | | | |

T2P2020-WT2-KPB

Titan Arm Wall Mount

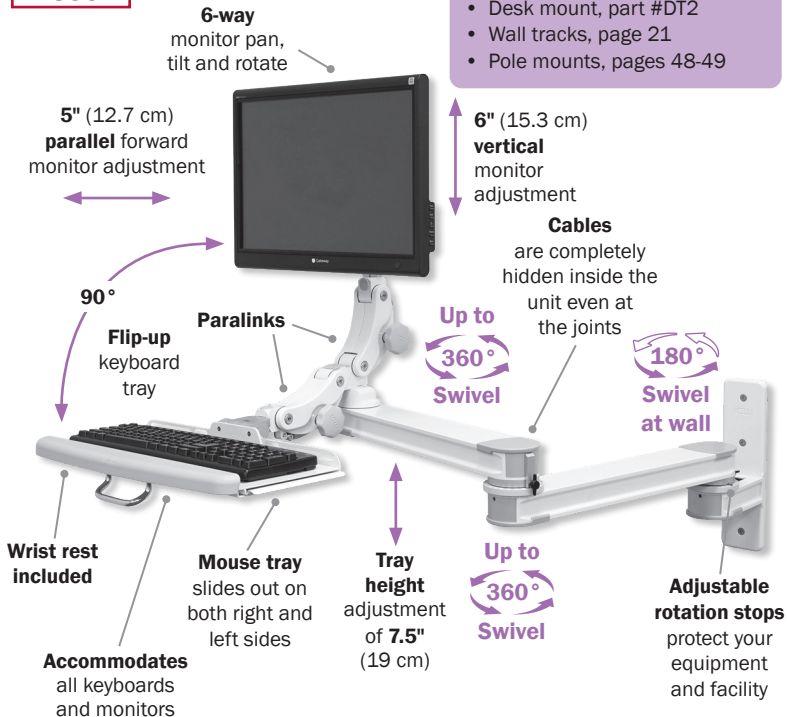
Components move together and adjust separately

The Titan with Paralinks is the premier rigid mount, providing smooth horizontal articulation and long reach. With full internal cable management from the wall to the monitor and keyboard, this arm moves effortlessly. Available with desk, wall, wall track and pole mount options.

Price:
\$830

Mounting Options

- Desk mount, part #DT2
- Wall tracks, page 21
- Pole mounts, pages 48-49



| SPECIFICATIONS | |
|---------------------------|-------------------------------|
| Load Capacity | 30 lbs (13.6 kg) |
| Keyboard Tray Size | 19" x 10" (48.3 cm x 25.4 cm) |
| Maximum Reach | 63" (160 cm) with Keyboard |
| Stowed Depth | 11.8" (30 cm) |
| Screen Swivel | 360° |
| Screen Tilt | 50° |
| VESA Interface | 75 mm and 100 mm |

Monitor and keyboard not included.

STOWED



10.5" (26.7 cm)

Range of Motion Video



For more options visit our website or call your customer service representative

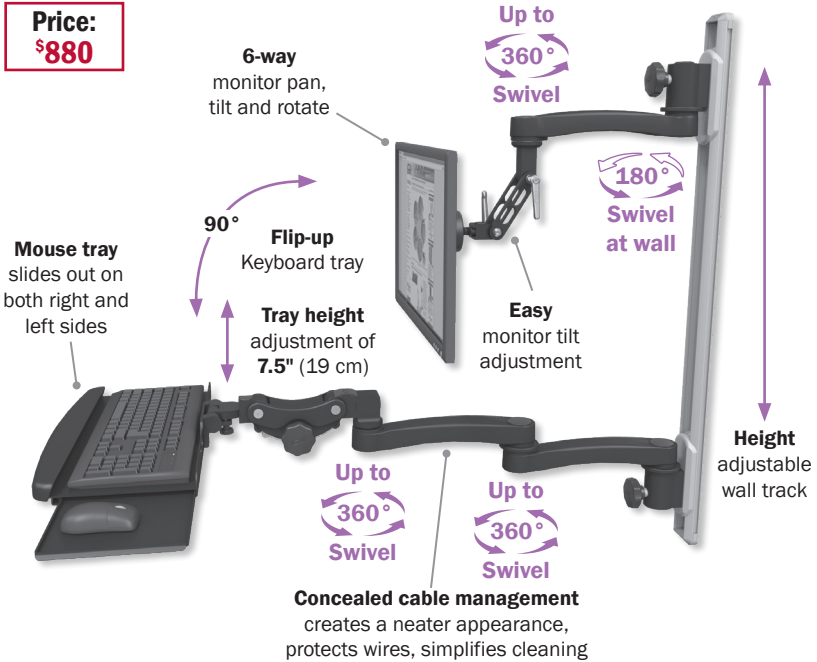
UL500i-T36D-KPB-A3

Ultra 500i Wall Track Workstation

Inverted monitor workstation easily fits into small spaces

The Ultra 500i Workstation is an ideal choice for healthcare environments where space is at a premium. The ultra-maneuverable LCD and keyboard mounting system fits on a slim wall track, reaches up to 42" (106.7 cm) with two arms and folds to a compact 5.5" (14 cm) against the wall. Available in many configurations. Contact your customer service representative for configuration options not shown on this page.

Price:
\$880



| SPECIFICATIONS | |
|-----------------------|--|
| Load Capacity | 18 lbs (8.2 kg) with LCD only |
| | 28 lbs (12.7 kg) with LCD and Keyboard |
| Maximum Reach | 42" (106.7 cm) |
| Stowed Depth | 5.5" (14 cm) |
| Arm Swivel | 180° at mount |
| | 360° at first and second joints |
| Screen Tilt | 180° |
| VESA Interface | 75 mm and 100 mm |

Monitor, keyboard and mouse not included.

Range of Motion Video



Keyboard Options

See page 52-53.

Track Options

T19

Wall track 19"

T36

Wall track 36"

Standard Color Options

Medical White (MW)

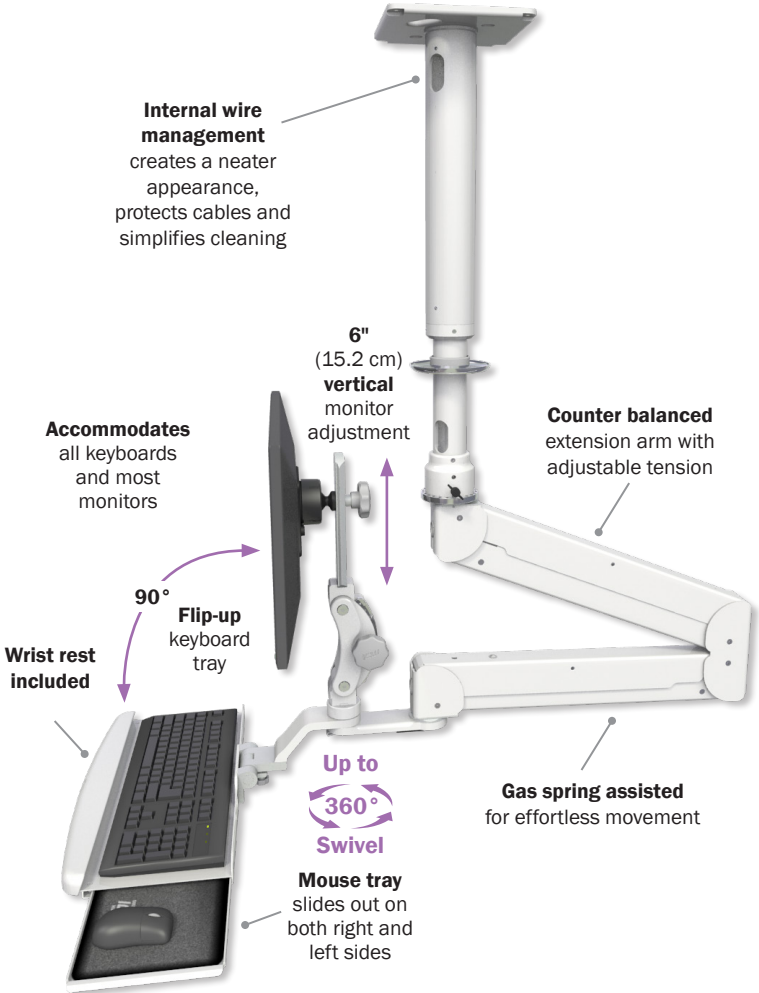
Black (WB)

Quartz Gray (QG)

7 custom colors available upon request. See the inside cover.

ELP6220-XT24-KUB

Elite 6220 Ceiling Mount



Internal wire management creates a neater appearance, protects cables and simplifies cleaning

Accommodates all keyboards and most monitors

6" (15.2 cm) vertical monitor adjustment

Counter balanced extension arm with adjustable tension

Wrist rest included

90° Flip-up keyboard tray

Gas spring assisted for effortless movement

Up to 360° Swivel

Mouse tray slides out on both right and left sides

| SPECIFICATIONS | |
|---------------------------|--|
| Load Capacity | 30 lbs (13.6 kg) with LCD only |
| | 22 lbs (10 kg) with LCD and Keyboard |
| Vertical Movement | 38" (96.5 cm) |
| Diameter of Motion | 68" (172.7 cm) |
| Arm Swivel | 180° at mount (stop pins provided) |
| Tray Tilt | 6° up (positive) / 11° down (negative) |
| Tray Swivel | 240° |
| Adjustable Drop | XT24: 26" to 37" (66 cm to 94 cm) |
| Pole Options | XT12: 19" to 26" (48.3 cm to 66 cm) |

Range of Motion Video



Price:
\$1,595

Monitor, keyboard and mouse not included.

For more options visit our website or call your customer service representative

Ideal for ceiling mount that requires a keyboard.

- **ONE-OF-A-KIND DESIGN** with sleek and sturdy construction. Engineered for years of reliable service.
- **MOUNT** stows conveniently overhead and rests 12" (30.5 cm) from the base of the drop pole.
- **FULLY CONCEALED** internal cable management protects cabling.
- **REMOVABLE STOP PIN** prevents mount from turning 360° and twisting cables internally.
- **ADJUSTABLE DROP POLE** has two retracting options – 19" to 26" (48.3 cm to 66 cm) and 26" to 37" (66 cm to 94 cm).
- **STOWS SAFELY** out of the way, overhead above the user at 6'6".

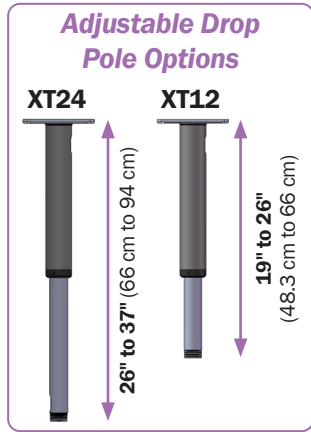
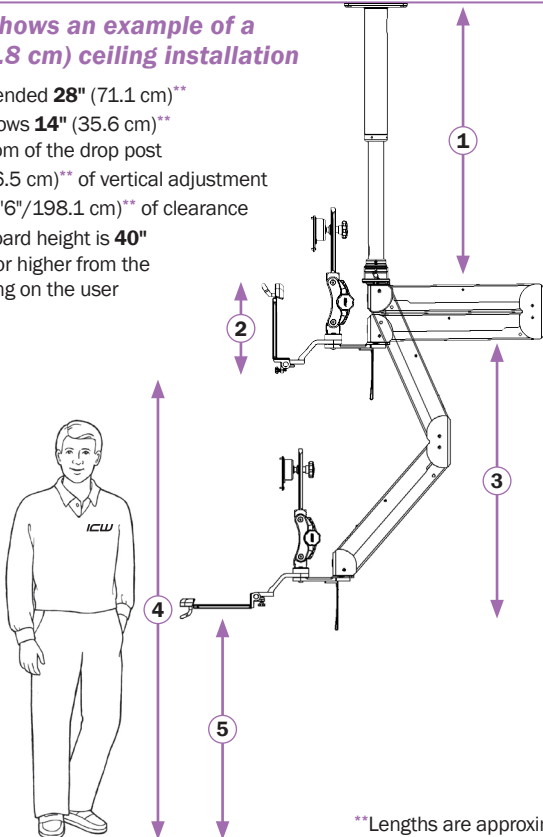


Illustration shows an example of a 10-foot (304.8 cm) ceiling installation

1. Drop pole extended **28"** (71.1 cm)**
2. Completely stows **14"** (35.6 cm)** from the bottom of the drop post
3. Offers **38"** (96.5 cm)** of vertical adjustment
4. Leaves **78"** (6'6"/198.1 cm)** of clearance
5. Optimal keyboard height is **40"** (101.6 cm)** or higher from the floor depending on the user



**Lengths are approximate

Standard Color Options

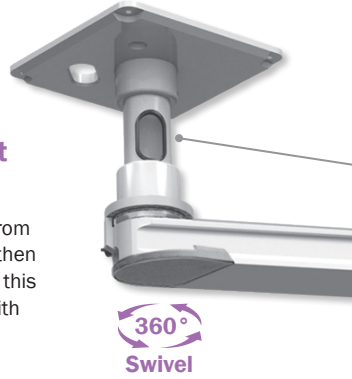
| | | | |
|--------------------|------------|------------------|---|
| Medical White (MW) | Black (WB) | Quartz Gray (QG) | 7 custom colors available upon request. See the inside cover. |
| | | | |

T2EQ-C8X5

Titan Elite Ceiling Mount

Ideal for operatories, this monitor mount provides effortless positioning

The Titan Elite allows a monitor to be securely mounted from the ceiling or headwall shelf, pulled down when needed, then stowed up and out of the way. With multiple pivot points, this arm enables vertical and horizontal adjustments along with 360° of rotation.



| SPECIFICATIONS | |
|---------------------|------------------|
| Load Capacity | 28 lbs (12.7 kg) |
| Lift Distance | 21" (53.3 cm) |
| Maximum Reach | 42" (106.7 cm) |
| Arm Swivel at Mount | 360° |
| Screen Swivel | 360° |
| Screen Tilt | 50° |
| VESA Interface | 75 mm and 100 mm |
| Extension Pipe | 5" included |

Monitor not included.

EASY TO WIRE
Does not require disassembly. Wires run through the joints.

Price:
\$978



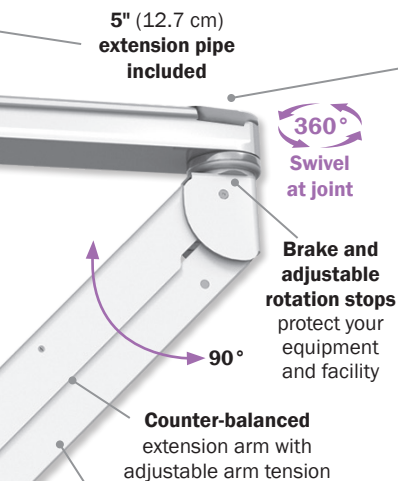
Screen tilt at ball joint

50°



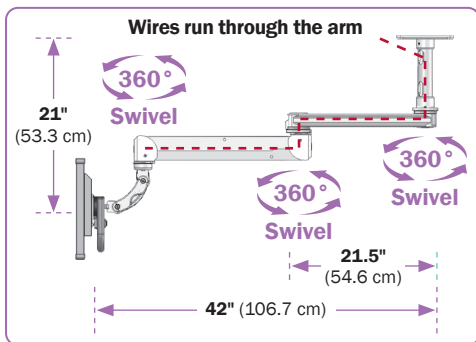
Under-monitor handle adjusts arm with ease, protects monitor from fingerprints





Titan Arm Option

The Titan section of this arm can be ordered in a 12" length to fit smaller spaces. The 20" length is shown here.



Internal wire management creates a neater appearance, protects cables and simplifies cleaning



Range of Motion Video



Ceiling Mount Extension Pipe Options available in four lengths



Contact your ICW representative for final pricing.

Titan Elite Ceiling Mount (T2EQ-C8X5)

| XE5 | XE12 | XE24 | XE36 |
|------------------------|----------|----------|----------|
| Included in base price | Add \$29 | Add \$40 | Add \$70 |

ICWUSA.com, Inc. COVID-19 MESSAGE: Despite concerns stemming from the pandemic, all of our outbound orders are shipped on time to meet our customers' needs. Why? Because we are a "Made and Manufactured in the USA" company.



Standard Color Options

Medical White (MW)

Black (WB)

Quartz Gray (QG)

7 custom colors available upon request. See the inside cover.

ELQ5120-C8X5

Single Elite 5120 Ceiling Mount

Ideal for monitor viewing, this monitor mount can be positioned with one hand

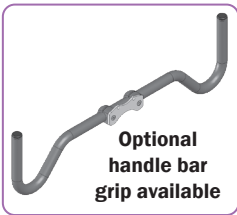
The Single Elite was designed to move with a feather-light touch. It features 90° of tilt at each joint with the Quicklink push button adjustment plus 50° monitor tilt and pivot at its compact ball joint.

| SPECIFICATIONS | |
|---------------------|------------------|
| Load Capacity | 28 lbs (12.7 kg) |
| Lift Distance | 21" (53.3 cm) |
| Maximum Reach | 27" (68.6 cm) |
| Arm Swivel at Mount | 360° |
| Screen Swivel | 360° |
| Screen Tilt | 50° |
| VESA Interface | 75 mm and 100 mm |

Monitor not included.

Price:
\$704

Screen tilt at ball joint

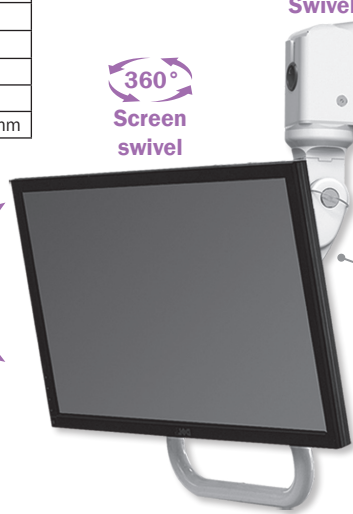


Counter balanced lift arm with adjustable tension

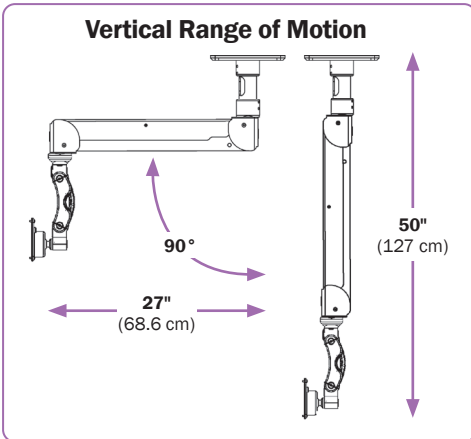
360° Swivel

360° Screen swivel

90°

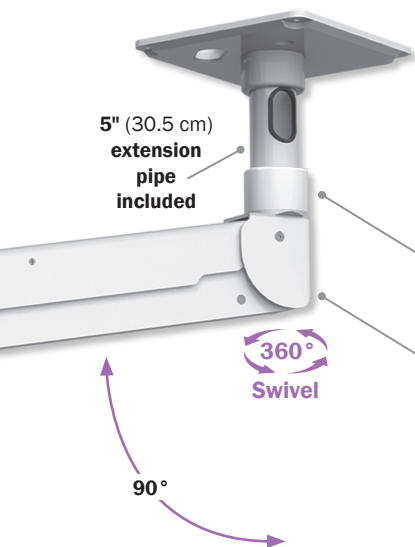


Compact ball joint provides monitor tilt and pivot



EASY TO WIRE
Does not require disassembly. Wires run through the joints.

For more options visit our website or call your customer service representative



5" (30.5 cm)
extension
pipe
included

360°
Swivel

90°

Quicklink
push button
tilt adjustment
provides 90°
of tilt at
two joints

**Adjustable
rotation stops**
protect your
equipment
and facility

**Internal wire
management**
creates a neater
appearance,
protects cables,
simplifies cleaning







Price:
\$872

Wall Mount
also available.
See pages 22-23.

Range
of Motion
Video



Ceiling Mount Extension Pipe Options
available in four lengths

| | | | |
|--|--|--|--|
|  |  |  |  |
| XE5 5" (12.7 cm) | XE12 12" (30.5 cm) | XE24 24" (61 cm) | XE36 36" (91.4 cm) |

Contact your ICW representative for final pricing.

| Single Elite 5120 Ceiling Mount (ELQ5120-C8X12) | | | |
|---|----------|----------|----------|
| XE5 | XE12 | XE24 | XE36 |
| Included in base price | Add \$29 | Add \$40 | Add \$70 |

Standard Color Options

| | | |
|--------------------|------------|------------------|
| Medical White (MW) | Black (WB) | Quartz Gray (QG) |
|--------------------|------------|------------------|

7 custom colors available upon request. See the inside cover.

UL95-CU

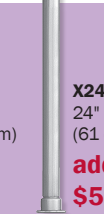
Ultra 95 Ceiling Mount

Position your monitor to exactly the height you need

The Ultra 95 mounts securely from the ceiling with a telescoping pipe, making it an excellent choice for healthcare environments.

Price:
\$270


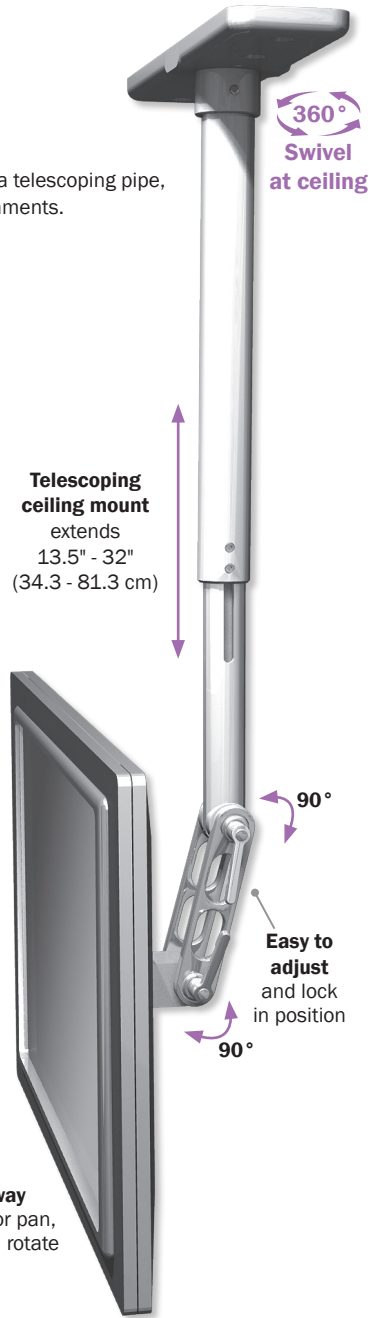
Extension Pipes
available in two lengths

| | | | |
|---|--------------------------------|---|------------------------------|
|  | X12 12" (30.5 cm) |  | X24 24" (61 cm) |
| | add \$39 | | add \$59 |

| SPECIFICATIONS | |
|---------------------------------|------------------|
| Load Capacity | 18 lbs (8.2 kg) |
| Lift Distance | 18.5" (47 cm) |
| Screen Swivel at Ceiling | 360° |
| Screen Tilt | 180° |
| VESA Interface | 75 mm and 100 mm |

Monitor not included.

Ultra Secure
The Ultra 95 ceiling mount is secured to a stud in the ceiling using four countersunk wood screws that are provided with the unit.

UL500i-C8X12

Ultra 500i Ceiling Mount

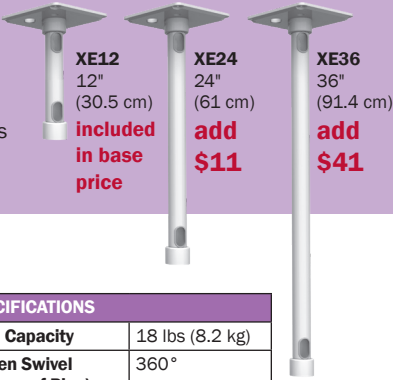
Offering a wide range of tilt and pivot options

The Ultra 500i mounts from the ceiling on an extension pipe made of true 2" o.d. structural tubing for side load support. Choose the length that best meets your needs.

Price:
\$299

Ceiling Mounts

Extension Pipes available in three lengths



XE12

12" (30.5 cm)

included in base price

XE24

24" (61 cm)

add \$11

XE36

36" (91.4 cm)

add \$41

| SPECIFICATIONS | |
|--------------------------------|------------------------|
| Load Capacity | 18 lbs (8.2 kg) |
| Screen Swivel (Bottom of Pipe) | 360° |
| Screen Tilt | 180° (forward or down) |
| VESA Interface | 75 mm and 100 mm |

Monitor not included.

180° screen tilt

360° Swivel at ceiling

Cable management through pipe

90°

90°

Easy to adjust and lock in position

6-way monitor pan, tilt and rotate

Mounting plate C8X 8" x 8" plate



BUILD YOUR OWN MOUNTING SOLUTION WITH OUR CONFIGURATOR

VISIT WWW.ICWUSA.COM, CLICK THE CONFIGURATOR ICON AND DISCOVER THE ICW ADVANTAGE

ICWUSA.com

Standard Color Options

Medical White (MW)

Black (WB)

Quartz Gray (QG)

7 custom colors available upon request. See the inside cover.

UL182I-PS28-XU25

NEW! Pro Slide Overcabinet Monitor Mount**Convenient and Durable Overcabinet Monitor Mount**

The Pro Slide Overcabinet Monitor Mount features an articulating Ultra 182 arm connected to a drop pole with an easy-to-use handle below the monitor.



ADJUSTABLE STOP
extends to prevent arm from making contact with cabinet during use

PRO SLIDE TRACK
allows mount to slide to either side of cabinet in one smooth motion without unnecessary chatter

ERGONOMIC EASY-TO-USE HANDLE
allows user to position monitor in desired position



- **UNIVERSAL TRACK*** can mount above any cabinet. Competitor's mounts will only fit on their own proprietary cabinets.
- **WILL NOT DAMAGE CABINET** with vertical movement as mount includes adjustable stop.
- **MOUNT SLIDES** 22" (55.9 cm) along standard 28.4" (72.1 cm) track which can be customized to extended or reduced lengths.
- **EASY ONE-FINGER MOVEMENT** vertically and horizontally without noisy chatter when the mount slides across the track.
- **VERTICAL LIFT** is 15" (38.1 cm).
- **DOES NOT REQUIRE A COMPRESSOR** to operate.
- **CYCLE-TESTED FOR 80,000 SLIDES** with no damage or noticeable wear.
- **WEIGHT-TESTED ON STANDARD CABINET MATERIAL AND FASTENERS FOR 166 lbs. (75 kg)** with no damage to the mount or cabinet.
- **CABLING IS DISCREETLY HIDDEN** in the slide track and internally through the mount.

SPECIFICATIONS

| | |
|----------------------------------|----------------------|
| Load Capacity | 0-28 lbs (0-12.7 kg) |
| Vertical Lift | 24" (61 cm) |
| Usable Vertical Lift | 15" (38.1 cm) |
| Track Length | 28.4" (72.1 cm)* |
| Usable Track Slide Length | 22" (55.9 cm) |
| Swivel at Track | 360*** |

Price:
\$1,565

*Custom tracks can be cut to length by request.

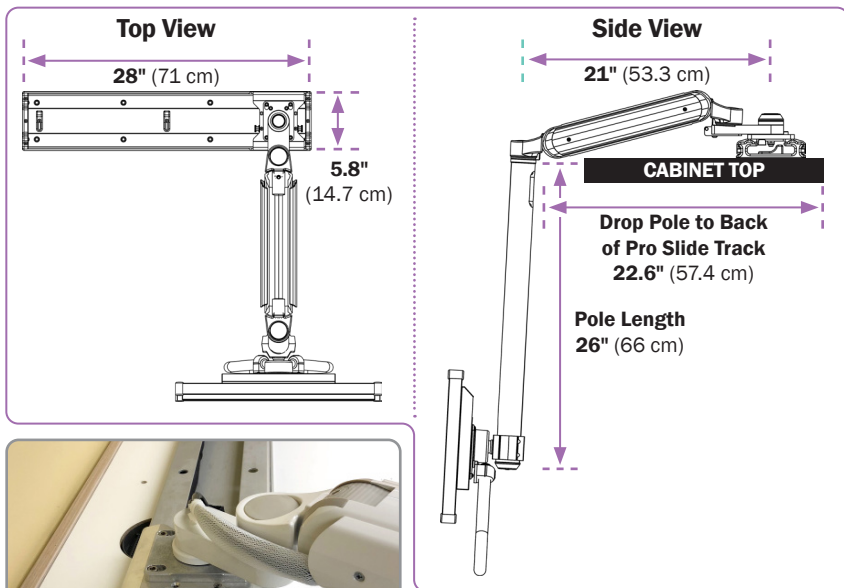
**Swivel limited to 1800 when cabinet is against wall.

Cabinet, monitor, keyboard and mouse not included.

Range
of Motion
Video



For more options visit our website or call your customer service representative



Pro Slide Track

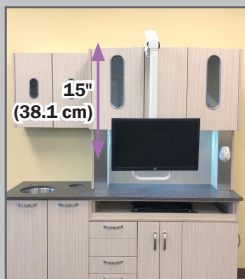
The Pro Slide's track provides smooth, effortless movement for the user while eliminating potential chatter and offers a unique professional wire management system that is both aesthetic and protects cables from damage.

Pro Slide Overcabinet Monitor Mount Range of Movement

The Pro Slide track allows the mount to glide across the top of the cabinet to either side and conveniently stows out of the way when not in use.



Rotates 360° at track and 180° when against wall.



Features 15" (38.1 cm) of usable vertical movement.



Mount slides 22" (55.9 cm) along track. Custom track sizes available.

Standard Color Options

Medical White (MW)

Black (WB)

Quartz Gray (QG)

7 custom colors available upon request. See the inside cover.

UL182I-PS28-KB16-XU25

NEW! Pro Slide Overcabinet Workstation with Keyboard Tray

Convenient and Durable Overcabinet Computer Workstation

The Pro Slide Overcabinet Workstation with Keyboard Tray features an articulating Ultra 182 arm connected to a drop pole and abbreviated keyboard. The Pro Slide (PS) series replaces our popular TS series. The PS series is stronger, more customizable, more robust and offers enhanced cable management.

Fits on most cabinet tops

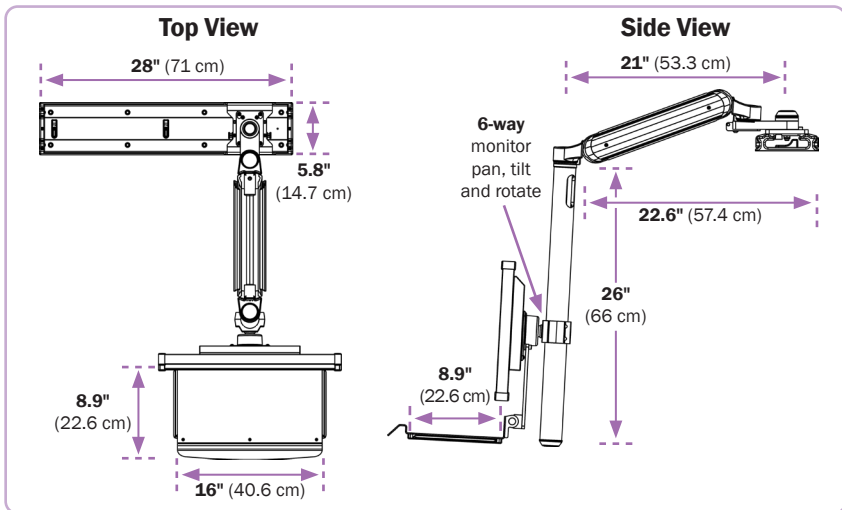


- **UNIVERSAL TRACK*** can mount above any cabinet. Competitor's mounts will only fit on their own proprietary cabinets.
- **WILL NOT DAMAGE CABINET** with vertical movement as mount includes adjustable stop.
- **MOUNT SLIDES 22"** (55.9 cm) along standard 28.4" (72.1 cm) track which can be customized to extended or reduced lengths.
- **VERTICAL LIFT** is 15" (38.1 cm).
- **HORIZONTAL REACH** is 65" (165.1 cm) along a standard track.
- **DOES NOT REQUIRE A COMPRESSOR** in order to operate.
- **5-YEAR WARRANTY**
- **EASY ONE-FINGER MOVEMENT** vertically and horizontally without noisy chatter when the mount slides across the track.
- **CYCLE-TESTED FOR 80,000 SLIDES** without issues or noticeable wear.
- **WEIGHT-TESTED ON STANDARD CABINET MATERIAL AND FASTENERS FOR 166 lbs. (75 kg)** with no damage to the mount or cabinet.
- **CABLING IS DISCREETLY HIDDEN AND PROTECTED** in the slide track and internally through the mount, giving longer life to your mount and devices.
- **KEYBOARD TRAY** is 16" (40.6 cm) wide and 8.9" (22.6 cm) offers adjustable tilt.

Range
of Motion
Video



For more options visit our website or call your customer service representative



| SPECIFICATIONS | |
|----------------------------------|----------------------|
| Load Capacity | 0-28 lbs (0-12.7 kg) |
| Vertical Lift | 24" (61 cm) |
| Usable Vertical Lift | 15" (38.1 cm) |
| Horizontal Reach | 68" (172.7 cm) |
| Track Length | 28.4" (72.1 cm)* |
| Usable Track Slide Length | 22" (55.9 cm) |
| Swivel at Track | 360°** |

Cabinet, monitor, keyboard and mouse not included.

Price:
\$1,745

*Custom tracks can be cut to length by request.
**Swivel limited to 180° when cabinet is against wall.

NEW! KB16 Tray for Compact Keyboards
Shown on Pro Slide Overcabinet Workstation.
See page 53 for details.

Pro Slide Overcabinet Monitor Mount Range of Movement

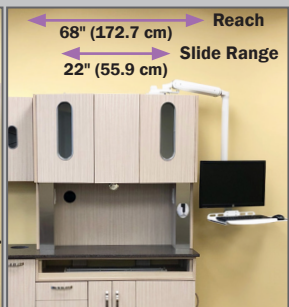
The Pro Slide track allows the mount to glide across the top of the cabinet to either side and conveniently stows out of the way when not in use.



Rotates 360° at track and 180° when against wall.



Features 15" (38.1 cm) of vertical movement.



Mount slides 22" (55.9 cm) along track and reaches 68" (172.7 cm).

UL182I-EV7-PS28-D0-KUB

NEW! Pro Slide Undercabinet Workstation

Convenient and Durable Undercabinet Monitor Mount

The Pro Slide Undercabinet Workstation with Keyboard Tray features an articulating Ultra 182 arm connected to our standard KUB keyboard tray.



Price:
\$1,075

Cabinet, monitor, keyboard and mouse not included.

- **UNIVERSAL TRACK*** can mount to underside of any cabinet. Competitor's mounts will only fit on their own proprietary cabinets.
- **WILL NOT DAMAGE CABINET** with vertical movement as mount includes adjustable stop.
- **MOUNT SLIDES** 21.6" (54.9 cm) along standard 28" (71.1 cm) track which can be customized to extended or reduced lengths.
- **VERTICAL LIFT** is 24" (61 cm).
- **HORIZONTAL REACH** is 68" (172.7 cm) along a standard track.
- **DOES NOT REQUIRE A COMPRESSOR** in order to operate.
- **5-YEAR WARRANTY**
- **EASY ONE-FINGER MOVEMENT** vertically and horizontally without noisy chatter when the mount slides across the track.
- **CYCLE-TESTED FOR 80,000 SLIDES** without issues or noticeable wear.
- **WEIGHT-TESTED ON STANDARD CABINET MATERIAL AND FASTENERS FOR 166 lbs. (75 kg)** with no damage to the mount or cabinet.
- **CABLING IS DISCREETLY HIDDEN AND PROTECTED** in the slide track and internally through the mount, giving longer life to your mount and devices
- **KEYBOARD TRAY** is 20.2" (51.3 cm) wide and 8.9" (22.6 cm) offers adjustable tilt.

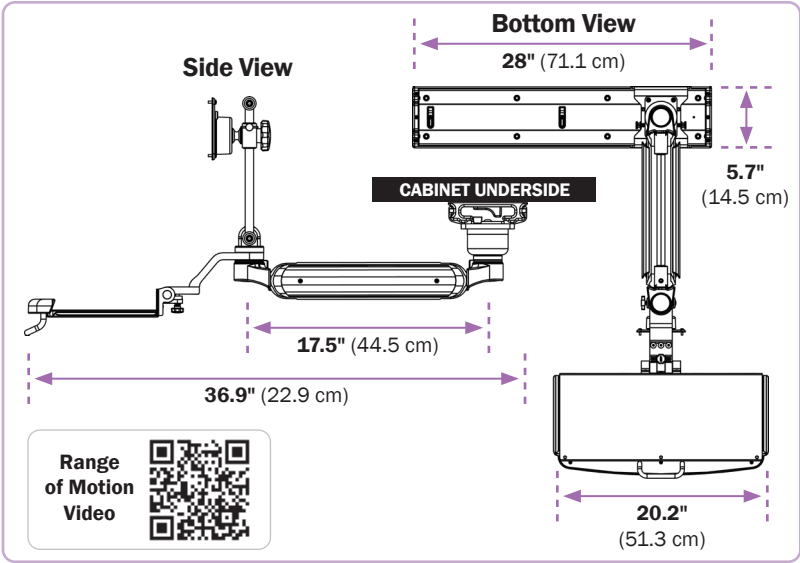
SPECIFICATIONS

| | |
|----------------------------------|----------------------|
| Load Capacity | 0-28 lbs (0-12.7 kg) |
| Vertical Lift | 24" (61 cm)** |
| Usable Vertical Lift | 15" (38.1 cm)** |
| Horizontal Reach | 68" (172.7 cm) |
| Track Length | 28" (71.1 cm)* |
| Usable Track Slide Length | 21.6" (54.9 cm) |
| Swivel at Track | 360°*** |

*Custom tracks can be cut to length by request.

**Vertical and horizontal travel can be effected by cabinet's dimensions.

***Swivel limited to 180° when cabinet is against wall.



Pro Slide Undercabinet Workstation fits like a glove beneath the cabinet.



The Pro Slide's track provides smooth, effortless movement for the user while eliminating potential chatter and offers a unique professional wire management system that is both aesthetic and protects cables from damage.

Pro Slide Undercabinet Monitor Mount Range of Movement



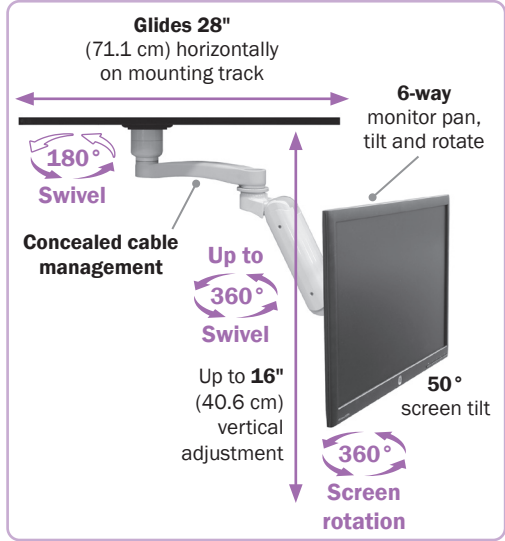
The Pro Slide track allows the mount to glide beneath the cabinet to either side and conveniently stows out of the way when not in use. Mount slides 21.6" (54.9 cm) along track (UL182IEV7S-PS28-D0-KUB model shown above).

Ultra 180 Undercabinet Monitor Mount

Monitor glides 28" horizontally on undercabinet track. Three range of motion options:

- Desk puck
- Short extension arm
- Standard extension arm

Patented Ultra 180 undercabinet mount offers full range of motion for your monitor. This arm provides up to 180° of vertical arm rotation and 360° of horizontal rotation. The Ultra 180 tucks away under the cabinet when not in use, making it the perfect choice for tight spaces.



| SPECIFICATIONS | |
|----------------------------|------------------|
| Load Capacity | 32 lbs (14.5 kg) |
| Horizontal Glide | 28" (71.1 cm) |
| Ultra 180 Arm Reach | 16" (40.6 cm) |
| Stowed Depth | 10" (25.4 cm) |
| Arm Swivel | Up to 360° |
| VESA Interface | 75 mm and 100 mm |

Monitor, keyboard and mouse not included.

18" (45.7 cm)

Ultra 180 arm mounted to 1" DESK PUCK (UL180i-BV-PS28-D1)

Price: \$773

Pictured Above

28" (71.1 cm)

Ultra 180 arm mounted to 12" STANDARD A1 Arm (UL180i-BV-PS28-D1-A1)

Price: \$845

23.5" (59.7 cm)

Ultra 180 arm mounted to 6" SHORT AS1 Arm (UL180i-BV-PS28-D1-AS1)

Price: \$845

ALL ICWUSA PRODUCTS ARE MADE AND MANUFACTURED IN THE USA



For more options visit our website or call your customer service representative

ULBVI-PS28D0-KDB-A1

Undercabinet Workstation

Our Undercabinet Workstation mounts beneath overhead cabinets, pulls out when needed and folds out of the way when not in use. Personalize your workstation with a stowable worksurface tray or a flip-up keyboard tray and choose the color that complements your decor.

6-way monitor pan,
tilt and rotate

Screen tilt
at ball joint **50°**

90° Flip-up
keyboard tray

14"
(35.6 cm)

360°
Screen
swivel

Accommodates
all keyboards and
most monitors

Mouse tray slides
out on both right and
left sides

Glides 28" (71.1 cm) horizontally
on mounting track

180°

Concealed cable management creates
a neater appearance,
protects wires,
simplifies cleaning

| SPECIFICATIONS | |
|----------------------------|------------------|
| Load Capacity | 30 lbs (13.6 kg) |
| Maximum Reach | 29.5" (74.9 cm) |
| Stowed Depth | 11.8" (30 cm) |
| Horizontal Slide | 28" (71 cm) |
| Arm Swivel at Mount | 180° |
| Screen Swivel | 360° |
| Screen Tilt | 50° |
| VESA Interface | 75 mm and 100 mm |

Monitor, keyboard and mouse not included.

Price as Shown: \$753

KPP-PS28D1-A1

Undercabinet Keyboard Mount

The Ultra Undercabinet Keyboard mount provides ergonomic Paralink keyboard height adjustment to make your workspace more comfortable.

Price:
\$624

90° Flip-up
keyboard tray

7.5"
(19 cm)

270°

180°
Swivel

Round edge
poly tray

Mouse tray
slides out on both
right and left sides

Glides 28" (71.1 cm)
horizontally on
mounting track

Concealed cable management

| SPECIFICATIONS | |
|---------------------------|-------------------------------------|
| Load Capacity | 28 lbs (12.7 kg) |
| Maximum Reach | 29.5" (74.9 cm) |
| Horizontal Slide | 28" (71 cm) |
| Keyboard Tray Size | 20" x 10" (50.8 cm x 25.4 cm) |
| Mounting Surface | 28" (71.1 cm) Undercabinet Track |
| VESA Interface | 75 mm and 100 mm |

Monitor, keyboard and mouse not included.

Keyboard Options
See page 52-53 for details.

Standard Color Options

Medical
White
(MW)

Black
(WB)

Quartz
Gray
(QG)

7 custom colors available upon request. See the inside cover.

ELP5216-CT2-KDB

NEW! Desk Clamp Computer and Monitor Mount

Strong vice-style clamp can mount workstation or monitors



- **DESK MOUNT HEIGHTS** available for most ICW mount configurations.
- **RUBBER PADS** protect work surfaces from damage during Desk Mount Clamp placement or location readjustment.
- **USER-FRIENDLY** vice-style clamp makes workstation easy to remove, reattach or readjust along the desk's surface.
- **SOLID SUPPORT** for workstations with dual monitors.
- **IDEAL MOUNT** for offices and temporary workstations. Mounts most ICW mounts to a desk/table surface.

| SPECIFICATIONS | |
|-----------------------------------|--|
| Load Capacity | 18-45 lbs (8.2-20.4 kg)* |
| Available Riser Heights | 1.25" (3.2 cm), 5" (12.7 cm), 7.5" (19.1 cm) |
| Minimum Surface Edge Depth | 4" (10.2 cm) |

Computer, cables, power converter, monitor, keyboard and mouse not included.

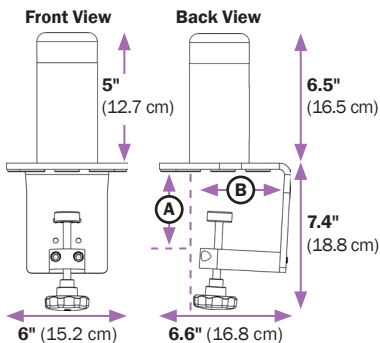
*Load capacity depends on the capacity of the components mounted on the clamp. The clamp does not decrease or increase the mount's load capacity.

Range of Motion Video

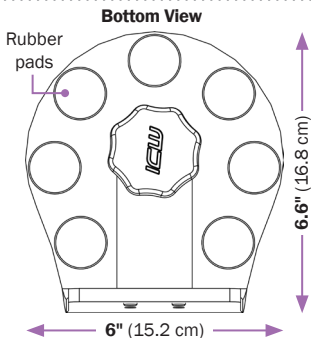


Price as Shown:
\$994

Desk Clamp Drawings (5" Riser Shown)



- A) Clamp fits Surface Edge Thickness up to 3.23" (8.2 cm)
- B) Clamp Surface's Minimum Edge Depth Requirement is 4" (10.2 cm)



For more options visit our website or call your customer service representative

Tablet Mount - Professional

Adjustable. Theft-Resistant Fastener.

Securely holds tablets and provides exceptional range of motion. An excellent solution for retail points of sale, healthcare, dental and industrial applications.

- Spring loaded cradle expands and contracts to fit many tablet sizes.
- Theft resistant TABSDM secures tablet to plate. Requires custom ICW key for tablet removal.
- Mount adjusts 16.6" (42.2 cm) vertically, swivels 360°, tilts to any viewing angle.
- Attaches to a counter or desk with either a clamp or desk mount.
- Optional, TAB12 Series will hold larger tablets such as the iPad Pro and Surface 4.
- All tablet mounts have a 100mm x 100 mm VESA pattern so tablet mounts can also be added to any ICW mount.



TABSDM: Theft Resistant Desk Mount
TABCC: Clamp Mount

Price:
\$300

TABV: Tablet Mount Plate with 100mm VESA compatibility

Price:
\$160

TABV12: For Larger Tablets

Price:
\$175

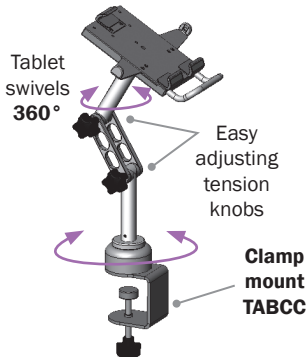
| SPECIFICATIONS | |
|---------------------------------|--|
| "TAB Series" Tablet Size | Min: 6.5" x 9.5" (16.5 cm x 24.1 cm) |
| | Max: 8" x 11.5" (20.3 cm x 29.2 cm) |
| "TAB 12 Series" Tablet Size | Min: 7.5" x 11.5" (19.1 cm x 29.2 cm) |
| | Max: 9" x 13.5" (22.9 cm x 34.3 cm) |
| "TAB V12 Series" Tablet Size | Min: 7.5" x 11.5" (19.1 cm x 29.2 cm) |
| | Max: 9" x 13.5" (22.9 cm x 34.3 cm) |

Tablet not included.



**Desk Mount
TABSDM**

Range of Motion Video



**Undercabinet
Tablet Mount**

Standard Color Options

Medical White (MW)

Black (WB)

Quartz Gray (QG)

7 custom colors available upon request. See the inside cover.

UL550-D5-KDB-A2

Ultra 550 Desk Mount

Effortless adjustability

Exceptional maneuverability

The Ultra 550 arm with Paralink interface allows the full articulation of the monitor and keyboard. Extending up to 45" (114.3 cm) from the mount to the tip of the keyboard tray, this arm folds up tightly against the wall when stowed.

| SPECIFICATIONS | |
|-----------------------|-------------------------------------|
| Load Capacity | 30 lbs (13.6 kg) |
| Maximum Reach | 40" (101.6 cm) |
| Stowed Depth | 3" (7.6 cm) with LCD only |
| | 12" (30.5 cm) with LCD and Keyboard |
| Arm Swivel | 360° |
| Screen Swivel | 360° |
| Screen Tilt | 50° |
| VESA Interface | 75 mm and 100 mm |

Monitor, keyboard and mouse not included.

Price:
\$715

Range of Motion Video



Wrist rest included

90°

Flip-up keyboard tray

Adjustable rotation stops



Slide out mouse tray on both sides

6-way monitor pan, tilt and rotate

5" (12.7 cm) parallel forward monitor adjustment

6" (15.2 cm) vertical monitor adjustment

Up to 360° Swivel

Concealed cable management creates a neater appearance, protects wires, simplifies cleaning

360° Swivel

AS1

Ultra AS1 Short Extension Arm

Rigid short extension arm adds 6" more reach at either end of arm.

Price: \$70

A1

Ultra A1 Standard Extension Arm

Rigid standard extension arm adds 10.5" more reach to Ultra series arms.

Price: \$70

Short AS1
6" (15.2 cm)



Standard A1
10.5" (26.7 cm)



For more options visit our website or call your customer service representative

UL510-D5-KDB-A2

Ultra 510 Desk Mount

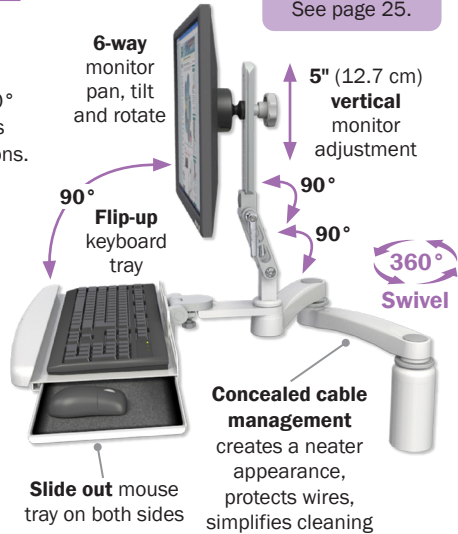
Move components together – adjust them separately

The Ultra 510 workstation has two articulating joints that together offer 90° of tilt adjustment with safety stops, plus two locking handle cranks to set positions. It is widely used in medical and dental settings.

Price:
\$685

| SPECIFICATIONS | |
|-----------------------|--|
| Load Capacity | 18 lbs (8.2 kg) |
| Maximum Reach | 37.5" (95.3 cm) |
| Stowed Depth | 4.5" (11.4 cm) with LCD 9.75" (24.8 cm) with LCD and Keyboard |
| Arm Swivel | 360° |
| Screen Swivel | 360° |
| Screen Tilt | 50° |
| VESA Interface | 75 mm and 100 mm |

Monitor, keyboard and mouse not included.



Wall Mount
also available.
See page 25.

LUS-D1-A1

Stowable Laptop Tray

- **OPTIONAL SLIDING MOUSE TRAY** (on LUS model) can be pulled out to left or right side.
- **GENEROUS SIZE** fits most laptop computers. Space-saving profile.
- **ERGONOMIC** laptop tray adjusts to positive, neutral, and negative tilt for maximum ergonomic benefit.
- **STOWS** just 6.25" (15.9 cm) from the wall on an Ultra arm.
- **MOUNTS** to most ICW mount configurations.
- **AVAILABLE** in options that mount to the wall, a wall track, desk or pole.



LUS-D1-A1

Price as Shown: \$405

| SPECIFICATIONS | |
|-------------------------|---|
| Load Capacity | 30 lbs (13.6 kg) |
| Laptop Tray Size | 16.4" width x 12" length (41.7 cm x 30.5 cm) |
| Stowed Depth | 6.25" (15.9 cm) |
| Tray Swivel | 180° |
| Tray Tilt | 90° |

Laptop not included.



Pole Mount Laptop Tray
(LUS-P2-A2)

Price as Shown: \$475

Standard Color Options

Medical
White
(MW)

Black
(WB)

Quartz
Gray
(QG)

7 custom colors available upon request. See the inside cover.

Pole Mounts

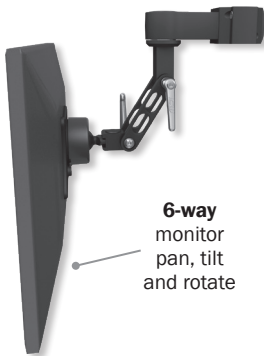


ELP5220-PT2-KUB

Monitor and Keyboard Pole Mount

- 68.25" (173.4 cm) maximum reach with monitor and keyboard
- 50° of screen tilt
- VESA compliant

Price:
\$1,133

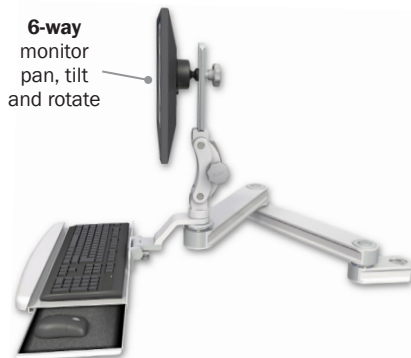


UL500i-P2

Compact Monitor Pole Mount

- Two adjustable tilt joints
- 360° of tilt in any direction (limited by pole)
- 360° of pivot
- VESA compliant

Price:
\$210



T2P2020-PT2-KPP

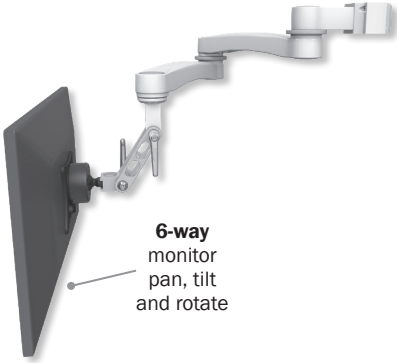
Monitor and Keyboard Pole Mount

- Full internal cable management
- Parallel keyboard height and monitor depth adjustment
- Round edge poly tray
- VESA compliant

Price:
\$834

For more options visit our website or call your customer service representative

Available in 2", 1.75" and 1.5" unless otherwise noted.



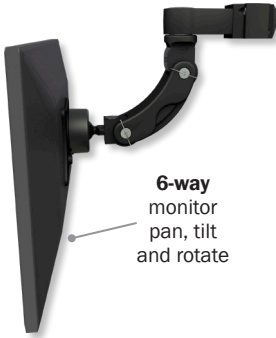
6-way monitor pan, tilt and rotate

UL500i-P2-A2

Monitor Pole Mount

- Provides vertical and horizontal monitor positioning
- Easily adjusts and tightens into position with indexing handles
- Mounts with two articulating 11" (27.9 cm) arm extensions
- VESA compliant

Price:
\$350



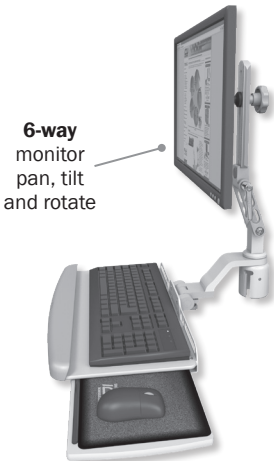
6-way monitor pan, tilt and rotate

UL560i-P2

Monitor Pole Mount

- Monitor is mounted below the arm and provides a wide range of tilt
- Quicklink adjuster allows full articulation of the monitor
- VESA compliant

Price:
\$350



6-way monitor pan, tilt and rotate

UL510-R2-KUP

Monitor and Keyboard Pole Mount

- Allows full articulation of the monitor
- Two handles next to the monitor tighten the monitor into position
- The monitor can be adjusted 4" (10.2 cm) vertically on two stainless steel rails
- VESA compliant
- *Only available for mounting on 2" pole*

Price:
\$535

Standard Color Options

| | | |
|--------------------|------------|------------------|
| Medical White (MW) | Black (WB) | Quartz Gray (QG) |
|--------------------|------------|------------------|

7 custom colors available upon request. See the inside cover.

EV710-DV75

Ergovision 710 Desk Mount

Your best choice for point of sale locations

The Ergovision 710 desk mount was ergonomically designed to reduce users' neck pain and stiffness.

| SPECIFICATIONS | |
|-----------------|------------------|
| Load Capacity | 28 lbs (12.7 kg) |
| Vertical Adjust | 9.5" (24.1 cm) |
| Screen Swivel | 360° |
| Screen Tilt | 60° |
| VESA Interface | 75 mm and 100 mm |

Monitor not included.

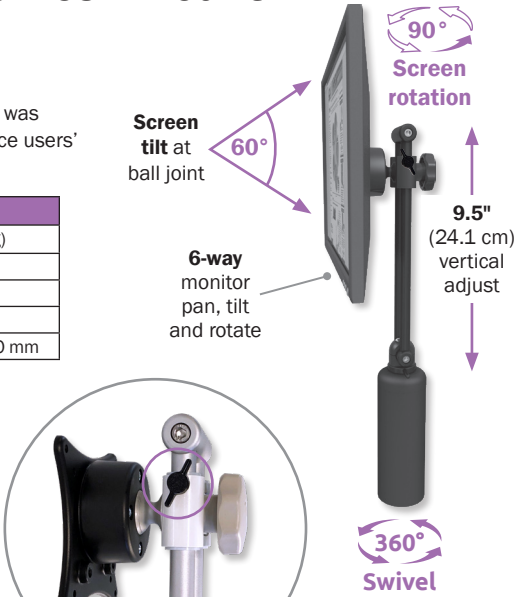
Price:
\$250

Mount Options

Your choice.

Included in base price.

- DV1** Desk mount 1"
- DV3** Desk mount 3"
- DV5** Desk mount 5"
- DV75** Desk mount 7.5"



EV710 Friction Lock helps supports heavier monitors. Turn friction lock to secure EV710 slider in place.

EV65-W2

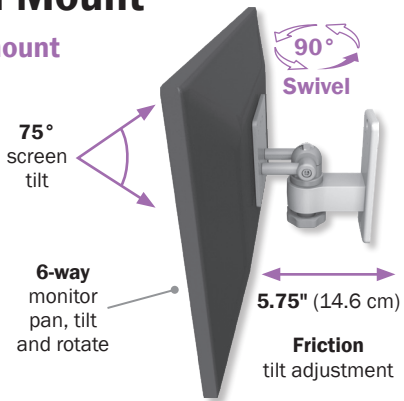
Ergovision 65 Wall Mount

Compact, durable monitor mount

| SPECIFICATIONS | |
|--------------------|------------------|
| Load Capacity | 30 lbs (13.6 kg) |
| Distance from Wall | 9.5" (24.1 cm) |
| Screen Swivel | 90° |
| Screen Tilt | 75° |
| VESA Interface | 75 mm and 100 mm |

Monitor not included.

Price:
\$180



For more options visit our website or call your customer service representative

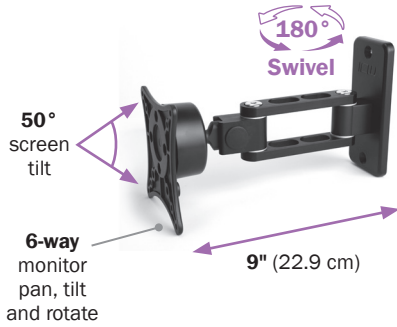
GX270-WM

Galaxy 270

Pivoting compact arm wall mount

| SPECIFICATIONS | |
|---------------------|------------------|
| Load Capacity | 28 lbs (12.7 kg) |
| Distance from Wall | 9" (22.9 cm) |
| Stowed Profile | 4" (10.2 cm) |
| Arm Swivel at Mount | 180° |
| VESA Interface | 75 mm and 100 mm |

Price:
\$160



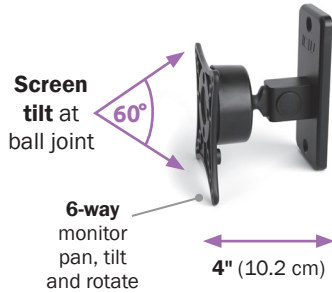
GX170-WM

Galaxy 170

Compact wall mount

| SPECIFICATIONS | |
|---------------------|------------------|
| Load Capacity | 28 lbs (12.7 kg) |
| Distance from Wall | 4" (10.2 cm) |
| Arm Swivel at Mount | 180° |
| VESA Interface | 75 mm and 100 mm |

Price:
\$110



FM25, FM26, FM30, FM31

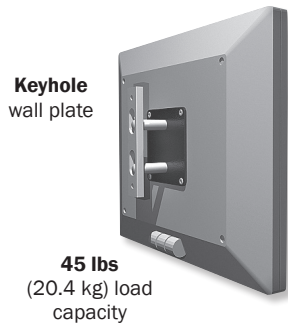
Fixed Wall Mount

Easy install for kiosks and trade show exhibits

Load Capacity: 45 lbs (20.4 kg)

| Model # | Distance from Wall |
|---------|----------------------------------|
| FM25 | 2" from wall with VESA 75 plate |
| FM26 | 1" from wall with VESA 75 plate |
| FM30 | 2" from wall with VESA 100 plate |
| FM31 | 1" from wall with VESA 100 plate |

Price:
\$62



Keyboard Add-On Tray Options

Prices may vary depending on mounting configuration requirements.
Call about other keyboard tray sizes.

KUS

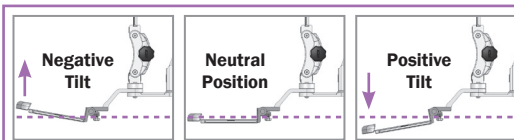
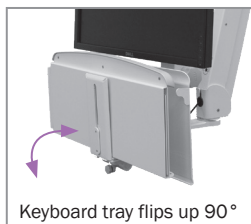
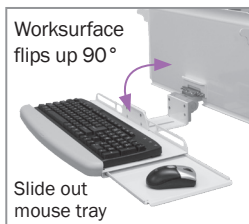
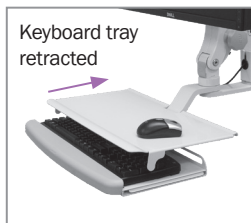
Keyboard Ultra Slide

The 3-in-1 keyboard features a worksurface tray, keyboard tray and mouse tray in one compact, streamlined unit.

SPECIFICATIONS

| | |
|----------------------------|--|
| Keyboard Dimensions | Width: 13" Depth: 8" |
| Tray Dimensions | Width: 9.25" Depth: 10.2" |
| Stowed Depth | 4" |

Price:
\$375

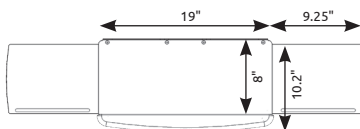


Keyboard Tray Tilt

Independent keyboard tray tilts while worksurface remains level.

KUP 19" Poly Tray with Built-In Wrist Rest

Mouse tray slides out on both right and left sides. Hand grip, removable wrist rest. Only available in white.



SPECIFICATIONS

| | |
|----------------------------|--|
| Keyboard Dimensions | Width: 19" Depth: 8" |
| Tray Dimensions | Width: 9.25" Depth: 10.2" |

Prices

| | |
|----------------------------|--------------|
| KUP (Ultra Flip-Up) | \$235 |
| KPP (Paralink) | \$239 |

KUB 19" Aluminum Tray with Built-In Wrist Rest

Mouse tray slides out on both right and left sides. Hand grip, removable wrist rest.



SPECIFICATIONS

| | |
|----------------------------|--|
| Keyboard Dimensions | Width: 19" Depth: 7.5" |
| Tray Dimensions | Width: 9.25" Depth: 10.5" |

Prices

| | |
|----------------------------|--------------|
| KUB (Ultra Flip-Up) | \$225 |
| KPB (Paralink) | \$240 |

For more options visit our website or call your customer service representative

KUW**WorkSurface Tray**

Price:
\$395

| SPECIFICATIONS | |
|-------------------------------------|--|
| Keyboard Dimensions | Width: 20.75" Depth: 10.5" Height: 2.125" |
| Tray Dimensions | Width: 9.25" Depth: 10.2" Height: 2.125" |
| Keyboard Tray Fully Extended | Depth: 20" |

NEW! 16" Tray for Compact Keyboards



Price:
\$230



| SPECIFICATIONS | |
|--------------------------------|--|
| Keyboard Dimensions | Width: 16" Depth: 10.7" |
| Tray Dimensions | Width: 7.7" Depth: 7.7" |
| Available Models | |
| KU16 (with 3" drop) | |
| KD16 (for undercounter) | |
| KB16 (for overhead PS) | |

Steel Keyboard Tray for Magnetic Keyboards (KUX)

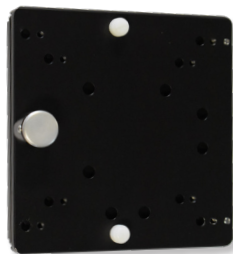
The keyboard tray's steel surface allows magnetic keyboards to firmly attach, making workstation even more convenient.

Price:
\$250



| SPECIFICATIONS | |
|----------------------------|--|
| Keyboard Dimensions | Width: 19" Depth: 7.5" |
| Tray Dimensions | Width: 9.25" Depth: 10.5" |

Magnetic keyboard sold separately

VESA Quick Connect (VQC) Plate

CPU with VQC plate shown being detached from back of monitor.



Monitor shown sliding from VQC plate base.

- **MOUNTS** vertically or horizontally (device or monitor must have flat mounting surface to mount quick release plate or a recessed area that must be at least 5" x 5½").
- **EASY ACCESS** to remove monitor or device.
- **ENHANCES ICW MOUNTS.**
- **LOCKING SET SCREEN** to prevent tampering.
- **ATTACHABLE** to all ICW monitor mounts.

| SPECIFICATIONS | |
|-----------------------|---|
| Load Capacity | 30 lbs (13.6 kg) |
| Dimensions | 5" x 5½" x ½" (12.7 cm x 13 cm x 1.3 cm) |
| VESA Interface | 75 mm and 100 mm |

Monitor not included.

Price: **\$65**

Standard Color Options

Medical White (MW)

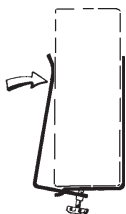
Black (WB)

Quartz Gray (QG)

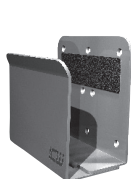
7 custom colors available upon request. See the inside cover.

CPU and Device Mounts

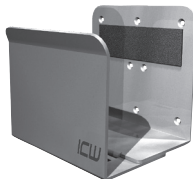
Clamp-Style Mount



Designed for large and small form factor CPUs, these units are constructed from heavy-duty aluminum, with neoprene padding for protection. Multiple mounting capabilities.



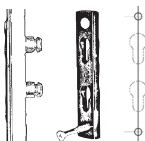
Small CPU-SF
2" to 4.7" wide



Large CPU-FF
4.6" to 8" wide

| SPECIFICATIONS | |
|------------------------------|-------------------|
| Load Capacity | 45 lbs. (20.4 kg) |
| CPU-SF Horiz. Adjust. | 2" - 4.7" |
| CPU-FF Horiz. Adjust. | 4.6" - 8" |
| Prices | |
| All Sizes | \$125 |

Frame-Style Mount



The CPU Mini, CPU 2.8, CPU 5 and CPU 7 mounts were designed with a keyhole wall plate that makes it easy to take the CPU off the wall mount for maintenance. Includes security set screw.



Mini-T CPU-MINI
1.0" - 2.2" wide



Large CPU-7
7" - 11" wide

| SPECIFICATIONS | |
|---------------------------------------|-------------------|
| Load Capacity | 45 lbs. (20.4 kg) |
| Mini-T CPU-MINI Horiz. Adjust. | 1" - 2.2" |
| Mini CPU-MINI Horiz. Adjust. | 1.86" - 3.2" |
| Small CPU-2.8 Horiz. Adjust. | 2.8" - 5" |
| Medium CPU-5 Horiz. Adjust. | 5" - 7" |
| Large CPU-7 Horiz. Adjust. | 7" - 11" |
| Prices | |
| All Sizes* | \$125 |
| Mini-T CPU-MINI | \$130 |

*With the exception of Mini-T CPU-MINI.

FM-25 Fixed CPU Mount

| SPECIFICATIONS | |
|-----------------------|-----------------------------------|
| Load Capacity | 45 lbs (20.4 kg) |
| Profile | 1.125" (2.9 cm) or 2.25" (5.7 cm) |
| VESA Interface | 75mm and 100mm |

From \$62



PAM Power Adapter Mount

Strap your computer or monitor's power adapter to our wall track using this accessory. This works perfectly with the FM-25 above.

Price: \$55



Adjustable Behind-the-Keyboard Mount

Bracket remains level when keyboard is flipped up to stow.

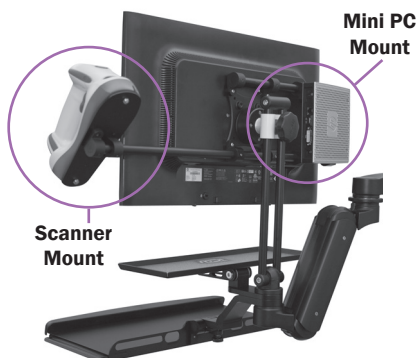
Price: \$85

KSCANBRK Universal Barcode Scanner Bracket

Bracket clips to back of keyboard.

Price: \$28





Shown mounted to back of monitor.

Adjustable Behind the Monitor Scanner Mount and Mini PC Mount

Attaches mini-PCs and scanners to ALL standard VESA mounts. Expands, contracts, tilts and mounts where you need it. Contact your ICW representative for more information.

From
\$145

NEW! CPUMF Small Form Factor Computer Mount

Sleek and sturdy case protects and neatly stores wide range of small form factor computers and components. Fits small form factor computers up to 7.8" high and 1 to 3" deep (2.5-19.7 cm x 7.6 cm). Mounts to back of monitor, track or wall.

From
\$90

Range
of Motion
Video



CPU12

Protective mount for small form factor computers

Sleek, sturdy case protects and conceals components

- **HOLDS** a range of small form-factor computers that are compatible with 75 mm or 100 mm VESA patterns.
- **FITS** small form factor computers up to 8" wide x 9" high x 2" deep (20.3 cm x 22.9 cm x 5.1 cm).
- **COVER** swings open and lifts off for easy access to interior components, simplifying hardware installation and maintenance.
- **CASE** secures with an easy-access hand knob or a theft-resistant fastener with special key.
- **CABLES** are neatly stowed inside the case and exit through either top or bottom wire ports.
- **VENTILATION** ports on each side prevent overheating of internal components while protecting them from liquids such as cleaning sprays.



Price:
\$195

Exterior dimensions: 13" wide x 14" tall x 3" deep (33 cm x 35.6 cm x 7.6 cm)

Standard Color Options

Medical
White
(MW)

Black
(WB)

Quartz
Gray
(QG)

7 custom colors available upon request. See the inside cover.

Custom & OEM Mounts from ICWUSA.com

When you have a specialized device mounting challenge, ICWUSA will work with you to create a custom solution that's effective and easy to use. Our in-house design, engineering and manufacturing make it possible to produce custom and OEM mounts for any device.

1 Made in USA means quality and high-speed turnaround

- ▶ Flexible, on-site manufacturing means we can quickly customize an existing mount to fit your specific device.

2 Over 6,000 modular arm configurations

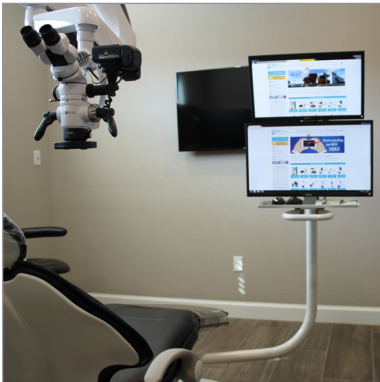
- ▶ World's largest variety of mounts.
- ▶ Our standard mounts have been modularly designed to integrate with each other and which fit most customer applications.

3 On-site design, engineering and manufacturing

- ▶ Designed, engineered, manufactured and assembled in Medford, Oregon, USA.
- ▶ The caliber of our mounts is unmatched by products made overseas.

4 Durability you can depend on

- ▶ We construct our mounts using heavy duty internal and external components for long life.
- ▶ ICW mounts are finished with tough powder coating that's easy to clean and resistant to chemicals.



Using our standard arms as a foundation, ICW will build custom solutions catered to fit your specific workspace needs.



5 We'll engineer a fully custom mount to meet your challenges

- ▶ When you have a specialized device mounting challenge, ICW will work with you to create a solution that's effective and easy to use.
- ▶ Our in-house design, engineering and manufacturing enable us to produce custom mounts for any device.

6 Get the mounting solution you need, when you need it

- ▶ You won't have to send your work order overseas and wait two weeks for an answer.

7 Outstanding customer support

- ▶ Experienced, knowledgeable, on-site staff will answer your questions.



Custom & OEM Mounts Brochure



For more information, check out our Custom & OEM Mounts brochure by holding your phone's camera over the QR code (a picture may need to be taken). You can also download a PDF of this brochure and other documents at www.icwusa.com.

Product Warranty

What the Warranty Covers:

ICWUSA.com, Inc. warrants our product, under normal use, is free from any defects in materials and workmanship during the warranty period. ICWUSA.com, Inc., will, at its sole discretion, repair or replace the product with the same or like product.

How Long the Warranty is Effective:

All ICW components are warranted for 5 years from the original date of purchase, unless otherwise noted.

Who the Warranty Covers:

ICW extends the warranty to the first consumer purchaser when sold by ICWUSA.com, Inc., or an authorized dealer or distributor.

What the Warranty Does Not Cover:

1. Damage, deterioration, or malfunction resulting from any of the following:
 - Accident, misuse, neglect, fire, water, lightning, or other acts of nature; unauthorized product modification, or failure to follow instructions supplied with the product
 - Repair or attempted repair by anyone not authorized by ICWUSA.com, Inc.
 - Removal or installation of the product

- Use of supplies or parts not meeting ICWUSA.com, Inc.'s specifications
 - Normal wear and tear
2. Any products used for rental purposes
 3. Any ICW product that has been custom modified by anyone other than ICW
 4. Removal, installation, or set up service charges.
 5. Freight charges to return the product to ICWUSA.com, Inc. are the customer's responsibility.
 - On warranty repairs, ICWUSA.com, Inc. will return product to the customer via ground freight. International customers are responsible for the freight charges both ways, including customs, duties and taxes.

How to Get Service:

To obtain service warranty, you will be required to provide the following:

1. The original dated invoice
2. Your name
3. Your address
4. A description of the problem
5. The part number and color

For information about receiving service under warranty, contact ICW Customer Support at 1-800-558-4435 or sales@icwusa.com.

Return Policy

Thank you for purchasing your ICW mounting products. If you are not satisfied with your order, you may return the product(s) within 90 days of the date of invoice with a minimum 20% restocking fee.

Orders over 10 mounts are not returnable unless approved on an order by order basis. All returns are subject to a repair fee based on the condition of the returned product.

No returns on custom modified products or OEM (original equipment manufacturers) units.

Customers must request a Return Merchandise Authorization (RMA) from ICW by phone. Please call ICW at 800-558-4435 between the hours of 6:00 a.m. - 4:00 p.m. Pacific Time.

Be prepared with the following information:

- Invoice number, sales order number or Purchase Order number
- Part number(s) and product(s) being returned
- Detailed explanation of reason for return
- Name of the person who ordered the product, their phone number and email address
- Name of a user of the product, their phone number and email address

Please follow these instructions to return your product:

1. **RMAs must be obtained within 90 days of the date of invoice.**
 - No return requests will be granted for discontinued products or custom modified

products, including custom paint or coating without prior approval.

2. **Return authorization will be confirmed by e-mail** and will include a Return Merchandise Authorization label provided by ICW that is to be inserted into the packaging and attached to the outside of the packaging.
 - Merchandise must be returned in the original packaging
 - Merchandise must prominently display the RMA number on the outside of the packaging
 - Package must contain a signed copy of the RMA with the product
 - Customer is responsible for return freight costs and any damages caused in shipping
 - ICW must receive the product within 15 days from the issue date of the RMA to ensure proper credit
3. **Unauthorized returns** or any returned merchandise that does not have an RMA number will be quarantined. Quarantined product will be returned to the customer at the customer's expense. Quarantined product not picked up within 15 days of notification will be recycled, no credit will be issued.
4. **Regularly stocked ICW products that are returned after 90 days** from the date of invoice will be charged a minimum 20% restocking fee. No returns for products over 90 days. Additional fees for damaged product or parts that need rework may also apply.



Kingsley Facility

About ICWUSA.com, Inc.

ICW is a majority women-owned U.S.-based design, engineering and manufacturing company with modern facilities located in Medford, Oregon. The company produces high-quality, professional mounting systems for computer equipment and other instruments for medical, dental, clean room, custom and manufacturing/industrial markets. ICW's flexible, onsite manufacturing process enables the company to quickly respond to customer needs.

Our Products



Are Recyclable



Grumman Facility

ICW DISCOVER THE ADVANTAGE
www.icwusa.com

1-800-558-4435

CUSTOM SOLUTIONS • ADVANCED ARTICULATION • ERGONOMIC COMFORT • SOLID SUPPORT

1487 Kingsley Drive, Medford, Oregon USA 97504

Outside US: 541-608-2824

Fax: 541-608-2797

