

**OPTIMIZE YOUR
DENTAL ENVIRONMENT**



**ERGONOMIC
COMFORT**



**STRONG & DURABLE
CONSTRUCTION**



**CUSTOMIZABLE
SOLUTIONS**



**PATIENT-FOCUSED
ENVIRONMENT**

**EXPLORE THE LARGEST
SELECTION OF MEDICAL-GRADE
MOUNTING SOLUTIONS
IN THE WORLD**



TABLE OF CONTENTS

CATALOG INDEX • 1	DESK MOUNTS • 38-41, 43-44
PRODUCT REFERENCE • 2-3	POLE & LOW PROFILE • 42-45
WALL MOUNTS • 4-23, 44-45	ACCESSORIES • 46-49
CEILING MOUNTS • 24-31	CUSTOM & OEM • 52
CABINET MOUNTS • 32-37	POLICIES • BACK INSIDE COVER



ICW Mounting Solution Features

Enhance comfort and increase your productivity with our ergonomic mounting solutions. Below are some of the most notable features ICW arms will provide to your work environment.

Customizable

Our standard mounts have been modularly designed to integrate with each other and they fit most customer applications. If you have a special mounting need, call us for a customized design. ICW offers onsite design, engineering and manufacturing services so we can quickly respond to your unique requirements.

Flexible

We design our mounts to move and adjust with fingertip control. You can easily position your monitor and keyboard exactly where you want them.

Stowable

Our products are designed to stow close to the wall so they tuck out of the way when your workspace is tight.

Extendable

When you need a mounting solution with maximum reach, contact us. Several of our products provide reach that equals the longest in the industry.

Durable

Arms and mounting systems are ruggedly designed and tested for commercial use. Our finishes are easy to clean and were developed to withstand sanitation required in healthcare and dental facilities.

Manageable

Our mounts are designed with optimum cable management, extending the safety and service life of your electronic devices and making sanitation easier.

Reliable

Thorough testing and field experience prove that ICW products stand up to the rigors of repeated commercial use. They are guaranteed to last! See our warranty on the back inside cover.



Scan QR code to visit
our Dental Page

[www.icwusa.com/
dental-mounting-solutions](http://www.icwusa.com/dental-mounting-solutions)

* Prices may be subject to change.

Color Options

Match or complement your decor with our selection of three standard or 7 premium custom colors.

Standard Colors

**Medical
White (MW)**

Matches
Adec*

*Most
Popular
Color*

Black (WB)

Black is a satin finish that matches most black computer equipment.

**Quartz
Gray (QG)**

Quartz Gray has a strong textured finish that matches most classic gray computer gear.

Custom Colors***

Tan (T)

**Arctic
Silver (SL)**

**Forest
Gray (FG)**

Pewter (PW)

Bronze (BR)

Shadow (SH)

Charcoal (CH)

** Color swatches are not an exact match due to variations in printing. Please ask your ICW representative for a paint chip sample.

*** Subject to custom color fee and longer lead time.

Catalog Index



We offer free workspace evaluations by our experts. If you would like to schedule one, feel free to give us a call.



ICWUSA.com offers the largest variety of custom mounts in the world.

MOUNTING SECTIONS (LISTED ALPHABETICALLY)

Accessories	46-49
Cabinet Mounts.....	32-37
Ceiling Mounts	24-31
CPU Mounts.....	47-49
Desk Mounts.....	38-41, 43-44
Keyboard Trays	46-47
Laptop Mounts.....	41
Pole & Low Profile Mounts	42-45
Wall Mounts.....	4-23, 44-45

TABLE OF CONTENTS (LISTED ALPHABETICALLY)

A1, AS1 Extension Arms	40
About ICWUSA.com, Inc.	Back Cover
CPU and Device Mounts.....	47-49
Custom & OEM Mounts Information.....	52
Desk Clamp Mount	38
Elite 5216 Wall Mount.....	12-13
Elite 5220 Wall Mount.....	14-15
Elite 6220 Ceiling Mount	24-25
Ergovision 65 Wall Mount	44
Ergovision 710 Desk Mount.....	44
Fixed Wall Mount	45
Galaxy 170, Galaxy 270	45
Keyboard Trays	46
Laptop Tray Mounts	41
Mounting Accessories	46-49
Overhead Arm, Overhead Short Arm ...	4-5
Pole Mounts.....	42-43
Product Warranty.....	Back Inside Cover
Pro Slide Overcabinet Monitor Mount.....	32-33
Pro Slide Undercabinet Workstation...	34-35
Quick Reference Product Overview	2-3
Return Policy.....	Back Inside Cover
Scanner Mounts	47
Single Elite 5120 Ceiling Mount.....	28-29
Single Elite 5120 Wall Mount	18-19
Tablet Mount	39
Titan Arm Wall Mount	22
Titan Elite Ceiling Mount.....	26-27
Titan Elite Wall Mount	16-17
Ultra 95 Ceiling Mount	30
Ultra 180 Arms	10-11
Ultra 182 Arms	8-9
Ultra 500i Ceiling Mount	31
Ultra 500i Wall Track Workstation	23
Ultra 510 Desk Mount	41
Ultra 510 Wall Mount	21
Ultra 550 Desk Mount	40
Ultra 550 Wall Mount	20
Undercabinet Mounts and Keyboard...	36-37
VESA Quick Connect Plate.....	49
VT21 Workstation.....	6-7
Wall Tracks.....	17

Quick Reference Product Overview

Wall Mounts



FEATURES	UL1821-OHAT	UL1821-OHAPS	T2EP-WT2-KUP	ELP5216-WT-KUB
Max Reach	77.5" (196.9 cm)	63" (160 cm)	65" (165.1 cm)	59" (149.9 cm)
Load Capacity	28 lbs (12.7 kg)	28 lbs (12.7 kg)	30 lbs (13.6 kg)	30 lbs (13.6 kg)
Vertical Adjust. Range	24" (61 cm)	24" (61 cm)	19" (48.3 cm)	28" (71.1 cm)
Arm Swivel at Wall	180°	180°	180°	180°
Arm Swivel at Mount	360°	360°	270°	270°
Stowed Depth	4" (10.2 cm)	4" (10.2 cm)	10.5" (26.7 cm)	10.5" (26.7 cm)
Price From	\$1,951	\$1,951	\$1,161	\$1,166
Page Ref.	4-5	4-5	16-17	12-13



FEATURES	UL180EV7-W3-KUS-A1	UL550-W3-KUB-A2	UL182EV7-W3-KUB	VTLP-KUW
Max Reach	47" (119.4 cm)	43" (109.2 cm)	35.5" (90.2 cm)	23" (58.4 cm)
Load Capacity	32 lbs (14.5 kg)	30 lbs (13.6 kg)	32 lbs (14.5 kg)	25 lbs (11.3 kg)
Vertical Adjust. Range	16" (40.6 cm)	6" (15.2 cm)	24" (61 cm)	21" (53.3 cm)
Arm Swivel at Wall	180°	180°	180°	N/A
Arm Swivel at Mount	270°	270°	270°	N/A
Stowed Depth	10" (25.4 cm)	9.75" (24.8 cm)	9.5" (24.1 cm)	4" (10.2 cm)
Price From	\$1,029	\$727	\$844	\$1,250
Page Ref.	10-11	20	8-9	6-7

Ceiling Mounts



FEATURES	ELP6220-XT24-KUB	T2EQ-C8X5	ELQ5120-C8X12	UL95-CU
Max Reach	42" (106.7 cm)	44" (111.8 cm)	27" (68.6 cm)	N/A
Load Capacity	22 lbs (10 kg)	28 lbs (12.7 kg)	28 lbs (12.7 kg)	18 lbs (8.2 kg)
Vertical Adjust. Range	38" (96.5 cm)	19" (48.3 cm)	19" (48.3 cm)	13.5-32" (34.3-81.3 cm)
Arm Swivel at Mount	270°	360°	360°	360°
Price From	\$1,692	\$1,037	\$777	\$286
Page Ref.	24-25	26-27	28-29	30

ICW features over 6,000 mounting solutions. Here are popular configurations that are ideal for Dental.

Desk & Cabinet Mounts



FEATURES	UL510-D5-KDB-A2	UL180IBV-PS28-D1-A1	UL182IEV7-PS28-D0-KUB	UL1821-PS28-XU25
Max Reach	37.5" (95.3 cm)	28" (71.1 cm)	37" (94 cm)	26.5" (67.3 cm)
Load Capacity	18 lbs (8.2 kg)	32 lbs (14.5 kg)	0-28 lbs (0-12.7 kg)	0-28 lbs (0-12.7 kg)
Vertical Adjust. Range	6" (15.2 cm)	12" (30.5 cm)	24" (61 cm)	24" (61 cm)
Arm Swivel at Mount	360°	Up to 360°	360°	360°
Price From	\$726	\$894	\$1,212	\$1,660
Page Ref.	41	36	34-35	32-33

Specialty Mounts



FEATURES	EV710-DV75	LUS-W2-AS1	TABS-DM	UL180HP-W3-KUB-AS1 / DMR
Max Reach	N/A	26" (66 cm)	17.5" (44.5 cm)	38" (96.5 cm)
Load Capacity	28 lbs (12.7 kg)	28 lbs (12.7 kg)	28 lbs (12.7 kg)	42 lbs (19.1 kg)
Vertical Adjust. Range	9.5" (24.1 cm)	N/A	8" (20.3 cm)	16" (40.6 cm)
Arm Swivel at Wall	N/A	180°	N/A	180°
Arm Swivel at Mount	360°	270°	360°	270°
Price From	\$265	\$419	\$318	\$1,204
Page Ref.	44	41	39	Available Upon Order

Accessories



Wall Tracks and CPU Mounts available upon order

FEATURES	VESA Quick Connect (VQC)	GX170 / GX270 Pivoting Wall Mount
Attributes	Easily Remove Monitors and Mini Computers	4" (10.2 cm) to 9" (22.9 cm) from wall
Price From	\$69	\$117 / \$170
Page Ref.	49	45

Overhead Arm

UL182iOHAT Wall TRACK Mount
UL182iOHAP Wall PLATE Mount

Exceptional reach for a monitor

ICW's unique overhead mounting arm is an excellent solution for healthcare and dental environments. It's also ideal for industrial applications including shipping and receiving, and factories that require long reach and extensive range of motion for a monitor. Attaches to wall on a track or plate, or can be mounted within or over a cabinet.

- **ATTACHES** to the wall or above a cabinet, providing 180° of horizontal rotation at the mount.
- **PROVIDES** up to 360° of horizontal rotation for a monitor.
- **CONVENIENTLY STOWS** just 4" (10.2 cm) from the wall and monitor can be pulled out when needed.
- **INTERNAL WIRE MANAGEMENT** for regular or low voltage.
- **POWDER COATED** for durability in your choice of 14 color options.



Wall Track Mount
See page 17 for details.

Range of Motion Video

SPECIFICATIONS	Standard Overhead Arm UL182i-OHAT/OHAP	Overhead Short Arm UL182i-OHATS/OHAPS
Load Capacity	28 lbs (12.7 kg)	28 lbs (12.7 kg)
Maximum Horizontal Reach	77.5" (196.9 cm) with UL182	63" (160 cm) with UL182
Vertical Adjustment Range	24" (61 cm)	24" (61 cm)
Horizontal Swivel	180° at mount	180° at mount
Stowed Depth	4" (10.2 cm)	4" (10.2 cm)
Mounting Surface	Wall track or wall plate	Wall track or wall plate
Ultra 182 Arm Swivel	360°	360°
Monitor Swivel	360°	360°
Monitor Tilt	90°	90°
VESA Interface	75 mm and 100 mm	75 mm and 100 mm
Finish	Powder coat	Powder coat

Monitor, keyboard and mouse not included.

Price:
\$1,951

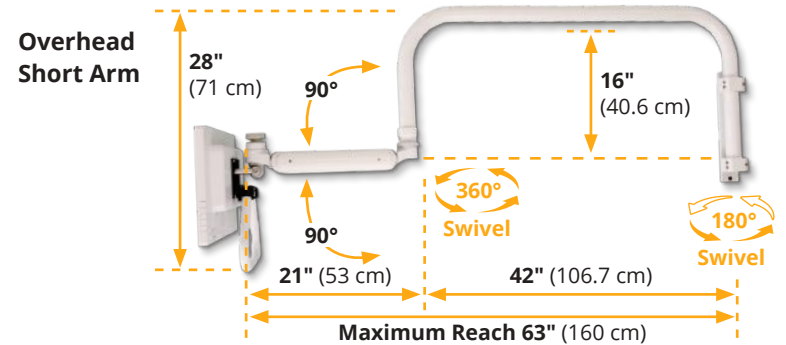
Price:
\$1,951

For more options visit our website or call your customer service representative.

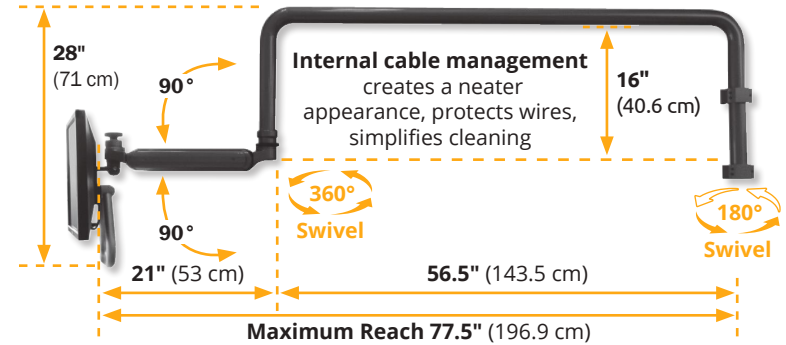
Overhead Short Arm

UL182iOHATS Wall TRACK Mount
UL182iOHAPS Wall PLATE Mount

Now there are two sizes to fit in any dental operator



Standard Overhead Arm



Overhead Arm Movement and Features

Wall Plate Mount

Vertical adjustment
24" (61 cm)

Monitor Swivel
360°

Stowed depth
4" (10.2 cm)

Convenient monitor handle protects monitor from fingerprints and damage

Standard Color Options

- Medical White (MW)
- Black (WB)
- Quartz Gray (QG)

7 custom colors available upon request. See the inside cover.

AVAILABLE IN THREE MODELS: VT21, VTLP, VTTM, VT21HDMR

VT21 Workstation

Low profile SIT-STAND workstation in three models

INDUSTRY-LEADING
21" of vertical movement.

INDUSTRY-LEADING
4" of stowed depth.

TRUE SIT-STAND
WORKSTATION.

- Quiet and smooth movement.
- All models are available with either our **WorkSurface Tray** or **Flip-Up Keyboard Tray**.
- **Load Capacity:** 25 lbs (11.3 kg)
- **15°** of total keyboard tilt.

Starting Price: \$1,106

Range of Motion Video



VT21HDMR Dual Monitor

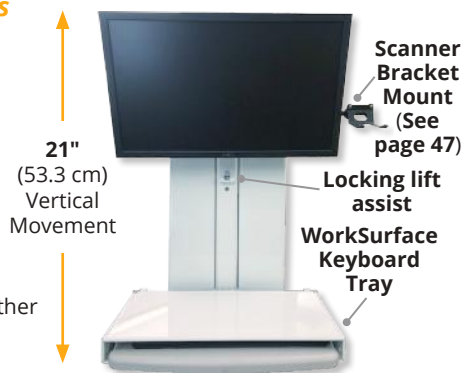


VT21HDMR SPECIFICATIONS

Extended Depth	17" (43.2 cm)
Stowed Depth (Monitor Swivel and Tilt)	5.5" (14 cm)

Monitor, keyboard and mouse not included.

VT21



VT21 SPECIFICATIONS

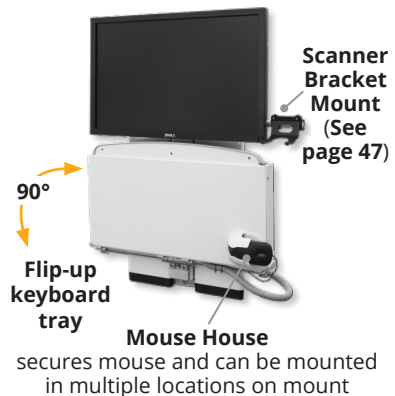
Extended Depth	17" (43.2 cm)
Stowed Depth (Monitor Swivel and Tilt)	5.5" (14 cm)

Monitor, keyboard and mouse not included.



Locking Lift Assist easily and smoothly raises and lowers unit.

VT21 Stowed Front View



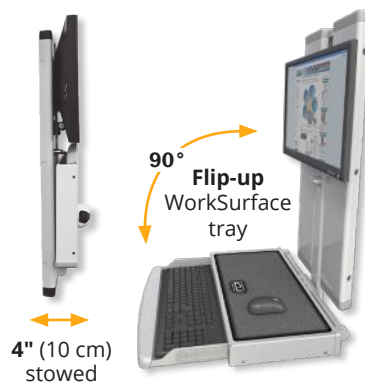
Flip-up keyboard tray

Mouse House

secures mouse and can be mounted in multiple locations on mount

TRUE SIT-STAND workstation with 21" of vertical movement

VTLP Low Profile



VTLP SPECIFICATIONS

Extended Depth	17" (43.2 cm)
Stowed Depth (Mounts Flat Against Wall)	4" (10.2 cm)

Monitor, keyboard and mouse not included.

VT21-KUS



VT21-KUS SPECIFICATIONS

Extended Depth	17" (43.2 cm)
Stowed Depth (Monitor Swivel and Tilt)	5.5" (14 cm)

Monitor, keyboard and mouse not included.

Standard Color Options



7 custom colors available upon request. See the inside cover.

VTTM Dual Arm



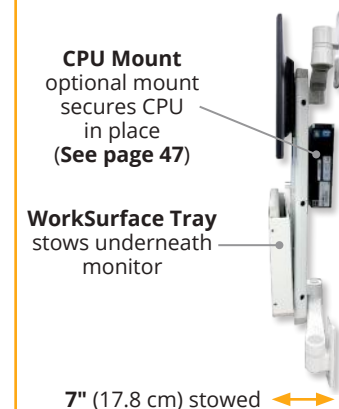
28" (71 cm) with extension arms extended and WorkSurface tray down

VTTM DUAL ARM SPECIFICATIONS

Extended Depth with Extension Arms	28" (71 cm)
Stowed Depth (Mounts Flat Against Wall)	7" (17.8 cm)
Horizontal Swivel at Mount (Monitor Swivel and Tilt)	180°

Monitor, keyboard and mouse not included.

VTTM Stowed Side View



CPU Mount optional mount secures CPU in place (See page 47)

WorkSurface Tray stows underneath monitor

7" (17.8 cm) stowed

UL182EV7-W3-KUB-A1 Ultra 182 Arm

**INDUSTRY-LEADING Full 180°
and 24" of Vertical Adjustability**

The patented Ultra 182 offers an unprecedented range of motion and rotates at every joint (PATENT 9,243,743)

- **VERSATILE.** The Ultra 182 can be configured to your specific needs. Ideal for computer workstations, and for mounting medical and industrial devices.
- **COMPACT.** The Ultra 180 and Ultra 182 stow 10" (25.4 cm) from the mounting surface and are ideal for space-constrained areas.
- **CABLE MANAGEMENT** system conceals cables and routes them through the arm for a neater appearance and to simplify cleaning.
- **INVERTED** mount capabilities for all Ultra 180 and Ultra 182 arms to increase reach and avoid chair rails.

Ultra Arms Offer Industry-Leading Horizontal and Vertical Range of Motion



SPECIFICATIONS	ULTRA 182	ULTRA 182H
Load Capacity	0-32 lbs (14.5 kg)	7-45 lbs (3.2-20.4 kg)
Maximum Horizontal Reach	47" (119.4 cm)	47" (119.4 cm)
Vertical Adjustment Range	24" (61 cm)	24" (61 cm)
Stowed Depth	10" (25.4 cm)	10" (25.4 cm)
Horizontal Rotation at Wall	180° at mount	180° at wall
Horizontal Rotation at A1 Joint	270° at mount	270° at mount
Monitor Tilt	50°	50°
Monitor Pan Left-to-Right	270°	270°
Monitor Rotation	Landscape to portrait position	Landscape to portrait position
VESA Interface	75mm and 100mm	75mm and 100mm

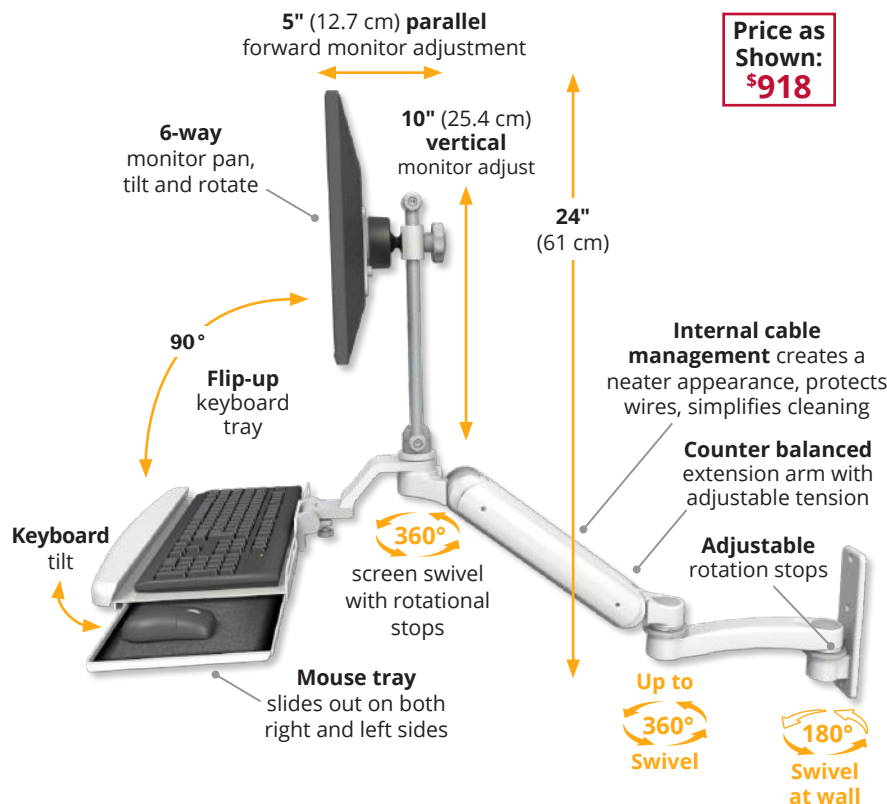
Monitor, keyboard and mouse not included.

Range of Motion Video

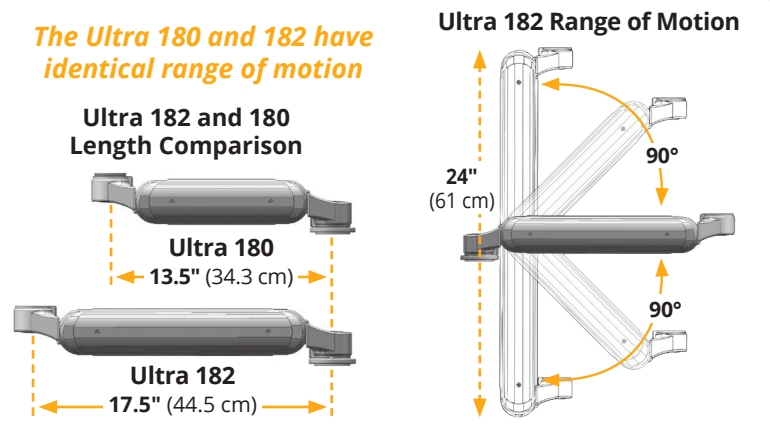


A true sit-stand workstation with 24" of vertical movement

Price as Shown: **\$918**



The Ultra 180 and 182 have identical range of motion



Standard Color Options

- Medical White (MW)
 - Black (WB)
 - Quartz Gray (QG)
- 7 custom colors available upon request. See the inside cover.

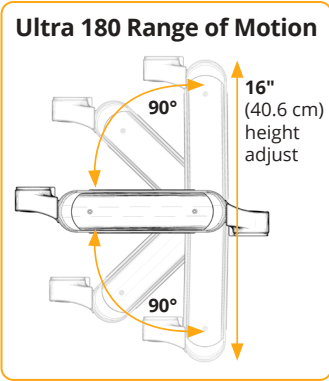
The Ultra 180 and Ultra 182 arms are protected by U.S. Patent 9,243,743.

For more options visit our website or call your customer service representative.

UL180EV7-W3-KUB-A1 Ultra 180 Arm

The best and most versatile short arm in the world (PATENT 9,243,743)

Patented Ultra 180 arm offers full articulation of your monitor and keyboard while supporting up to 32 lbs (14.5 kg). Fully cable managed, it provides 180° of vertical arm rotation and up to 360° of horizontal rotation. The Ultra 180 stows close to the wall, making it the perfect choice for tight spaces.



Ultra Arms Offer Industry-Leading Horizontal and Vertical Range of Motion



SPECIFICATIONS	ULTRA 180	ULTRA 180H
Load Capacity	0-32 lbs (0-14.5 kg)	0-42 lbs (0-19.1 kg)
Maximum Horizontal Reach	43.5" (110.5 cm)	43.5" (110.5 cm)
Vertical Adjustment Range	16" (40.6 cm)	16" (40.6 cm)
Stowed Depth	10" (25.4 cm)	10" (25.4 cm)
Horizontal Rotation at Wall	180° at mount	180° at mount
Horizontal Rotation at A1 Joint	270° at mount	270° at mount
Monitor Tilt	50°	50°
Monitor Pan Left-to-Right	270°	270°
Monitor Rotation	Landscape to portrait position	Landscape to portrait position
VESA Interface	75mm and 100mm	75mm and 100mm

Monitor, keyboard and mouse not included.

Range of Motion Video



Stowed View

10" (25.4 cm) Stows tightly against wall

90° Flip-up keyboard tray

16" (40.6 cm) of height adjustment

6-way monitor pan, tilt and rotate

Price as Shown: \$870

Cable management creates a neater appearance, protects wires, simplifies cleaning

180° vertical rotation

Keyboard tilt

Mouse tray slides out on both right and left sides

Up to 360° Swivel

180° Swivel at wall

43.5" (110.5 cm)

The ONLY arm with full 180° of vertical rotation!

Mini PC Mount mounts behind the monitor on VESA plate. See page 49 for details.

SRVCTRY Flip-up Service Tray stows under monitor

90°

UL180iEV7-W3-KUB-A1 Inverted Ultra 180

Keyboard tilt

Standard Color Options



7 custom colors available upon request. See the inside cover.

The Ultra 180 and Ultra 182 arms are protected by U.S. Patent 9,243,743.

For more options visit our website or call your customer service representative.

ELP5216-WT-KUS

Elite 5216 Wall Mount

Our popular Elite series' most compact version

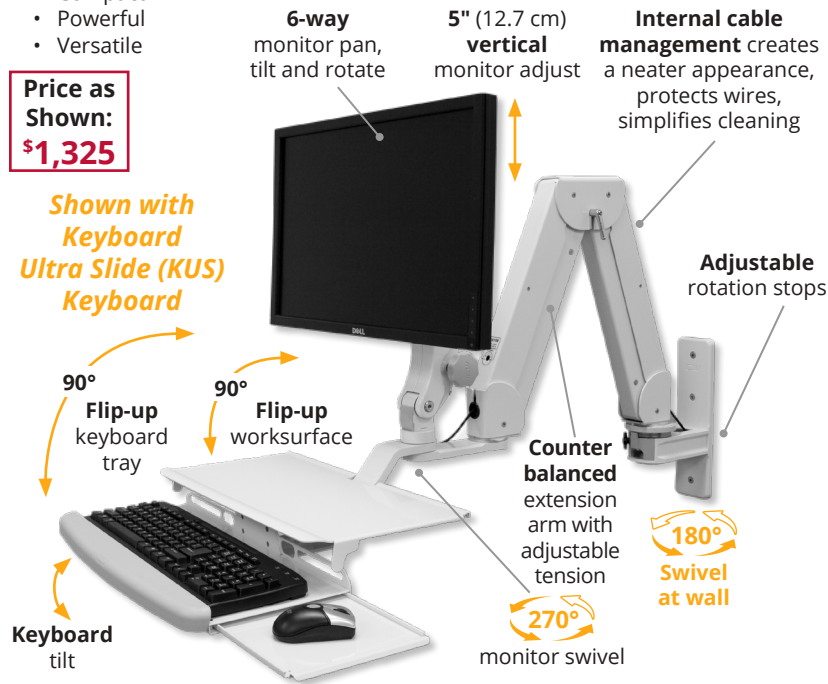
The Elite 5216 has all the features of the 5220 while being 10" shorter.

The Elite 5216 is:

- Compact
- Powerful
- Versatile

Price as Shown: **\$1,325**

Shown with Keyboard Ultra Slide (KUS) Keyboard



Dual monitor options available

SPECIFICATIONS	
Load Capacity	30 lbs (13.6 kg) with LCD only 22 lbs (10 kg) with LCD and Keyboard
Vert. Adjustment Range	30" (76.2 cm)
Maximum Reach	43" (109.2 cm) with LCD only 58" (147.3 cm) with LCD and Keyboard 64" (162.6 cm) with LCD and Keyboard Ultra Slide
Stowed Depth	10.5" (26.7 cm)
Arm Swivel at Mount	180°
Screen Swivel	360°
Screen Tilt	50°

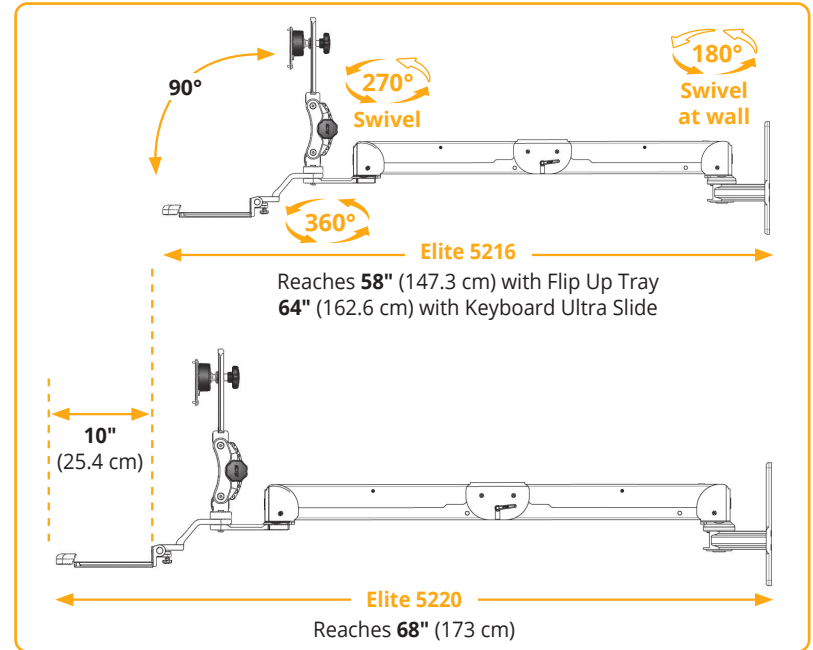
Range of Motion Video



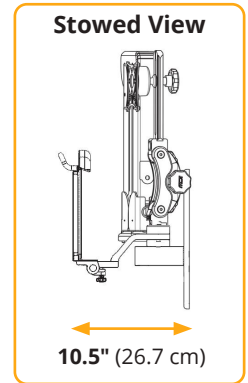
Monitor, keyboard and mouse not included.

For more options visit our website or call your customer service representative.

TRUE SIT-STAND workstation with 30" of vertical movement



Also available with Flip-Up Keyboard Tray and optional Service Tray



Keyboard Options

See page 46 for details.

Standard Color Options

- Medical White (MW)
- Black (WB)
- Quartz Gray (QG)

7 custom colors available upon request. See the inside cover.

ELP5220-WT-KUB

Elite 5220 Wall Mount

Experience effortless movement, optimal viewing angles and unparalleled reach

Ideal in medical operating rooms and dental operatories, the double arm Elite 5220 supports up to 30 lbs (13.6 kg) while providing effortless movement. The Elite allows a monitor to be suspended and pulled out to a maximum reach of 68" (173 cm).

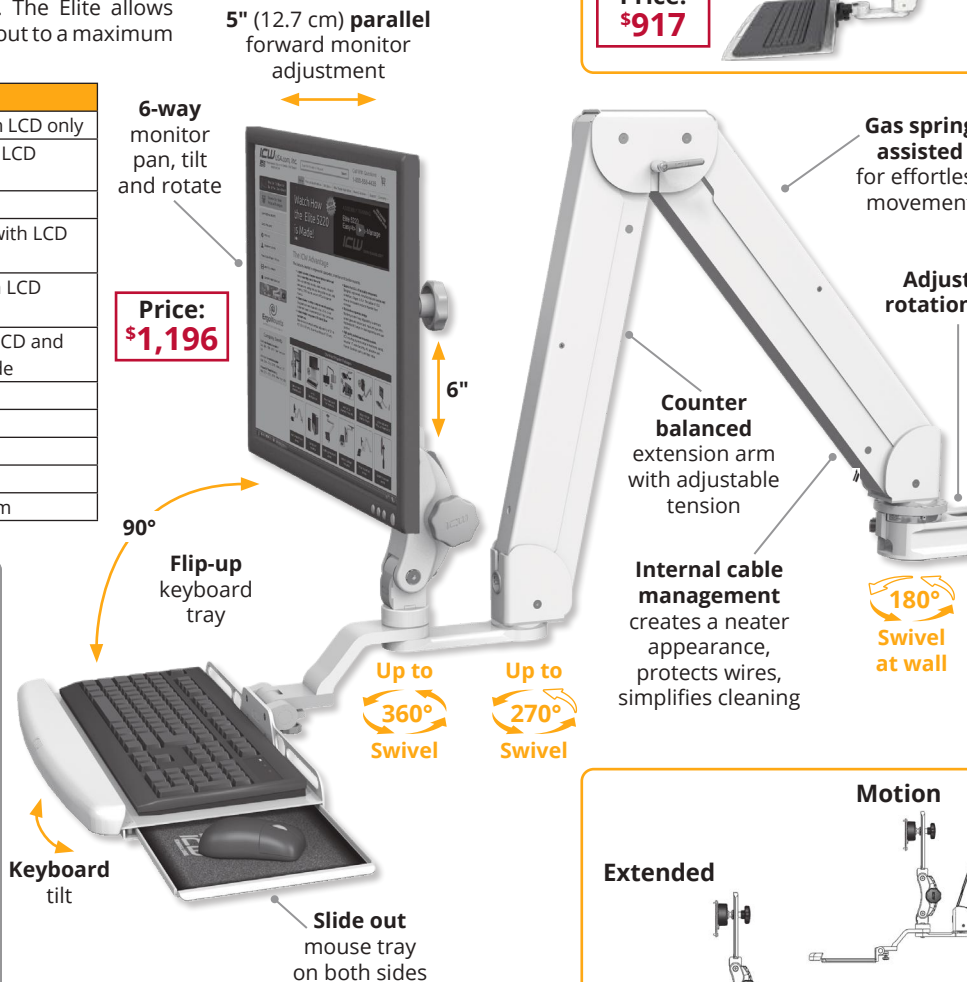
SPECIFICATIONS	
Load Capacity	30 lbs (13.6 kg) with LCD only 22 lbs (9.9 kg) with LCD and Keyboard
Vert. Adjust. Range	42" (106.7 cm)
Maximum Reach	56.25" (142.9 cm) with LCD only 58" (147.3 cm) with LCD and Keyboard 68" (173 cm) with LCD and Keyboard Ultra Slide
Stowed Depth	10.5" (26.7 cm)
Arm Swivel at Mount	180°
Screen Swivel	360°
Screen Tilt	50°
VESA Interface	75 mm and 100 mm

Monitor, keyboard and mouse not included.



ELP5220-WT-KUB-SRVCTRY
Service Tray Size: 16.25" x 5.625"
 (41.3 cm x 14.3 cm)
Tray Swivel: 180°
Stows: Completely under monitor

Price:
\$1,329



Keyboard Options

See page 46 for details.

TRUE SIT-STAND workstation with 42" of vertical movement

Elite 5220 Laptop Mount
EL5220LTU-WT

Price:
\$917



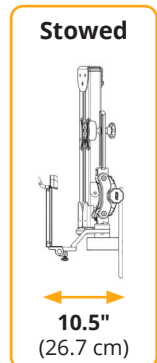
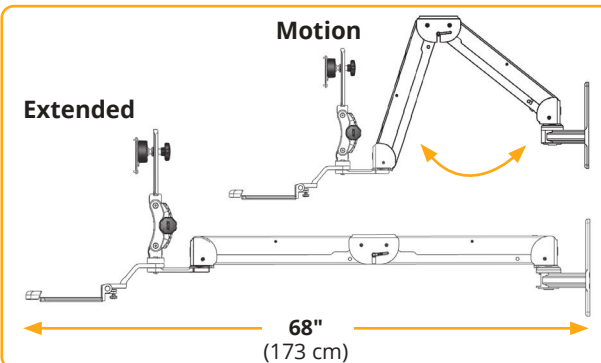
Elite 5220 Monitor Mount
ELQ5280-WT

Price:
\$999

Mounting Options

- Pole mounts, pages 42-43
- Wall track, page 17

Range of Motion Video



Standard Color Options

- Medical White (MW)
- Black (WB)
- Quartz Gray (QG)

7 custom colors available upon request. See the inside cover.

T2EP-WT2-KUB

Titan Elite Wall Mount

Unparalleled reach, compact when stowed and frees up lower wall real estate

The Titan Elite enables a monitor and keyboard to extend up to 54.25" (137.8 cm) when needed, then stows the entire workstation just 10.5" (26.7 cm) from the wall. This arm is ideal for tight spaces in today's healthcare environments.

SPECIFICATIONS	
Load Capacity	30 lbs (13.6 kg) with LCD only 22 lbs (10 kg) with LCD and Keyboard
Vert. Adjust. Range	21" (53.3 cm)
Maximum Reach	54.25" (137.8 cm)
Stowed Depth	10.5" (26.7 cm)
Arm Swivel at Mount	360°
Screen Swivel	270°
Screen Tilt	50°
VESA Interface	75 mm and 100 mm

Monitor, keyboard and mouse not included.

Price as Shown: **\$1,151**

Range of Motion Video



6-way monitor pan, tilt and rotate

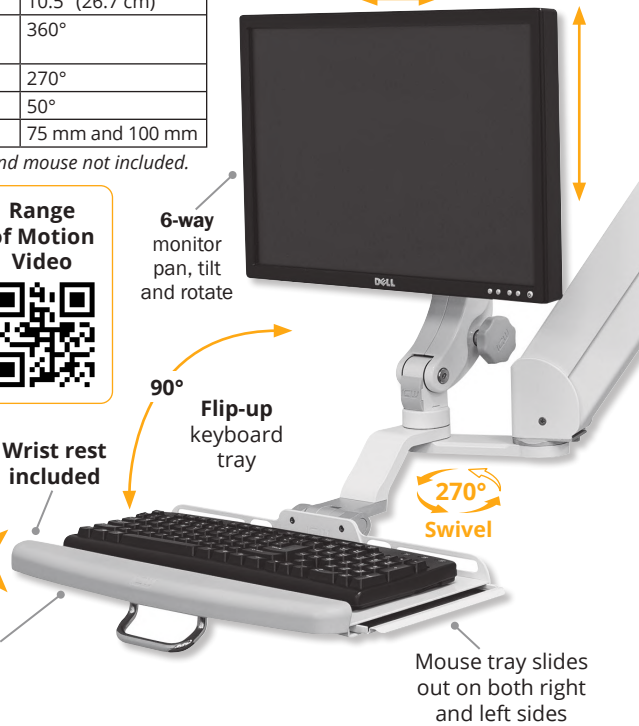
90° Flip-up keyboard tray

Wrist rest included

Keyboard tilt

Accommodates most keyboards and monitors

5" (12.7 cm) parallel forward monitor adjustment
5" (12.7 cm) vertical monitor adjustment



TRUE SIT-STAND workstation with **21"** of vertical movement

Mounting Options

- Mounts to wall as shown
- Ceiling mount, pages 26-27
- Wall tracks, pictured below



Titan Elite Wall Mount for a Monitor T2EQ-WT2

Price as Shown: **\$1,015**

Adjustable rotation stops protect your equipment and facility

Keyboard Options

See page 46 for details.

Wall Tracks

For MD, Elite and Titan Series Mounts

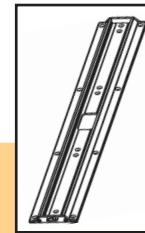
With the MD wall tracks, the load of all your wall mounted workstation components can be distributed along the length of the track. Most ICW wall mounts can connect to the MD track. Tracks include wire management covers, mounting hardware and track end caps.



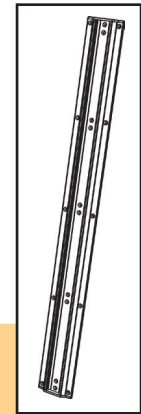
TMD19
Wall track 19"
\$74



TMD26
Wall track 26"
\$90



TMD36
Wall track 36"
\$116

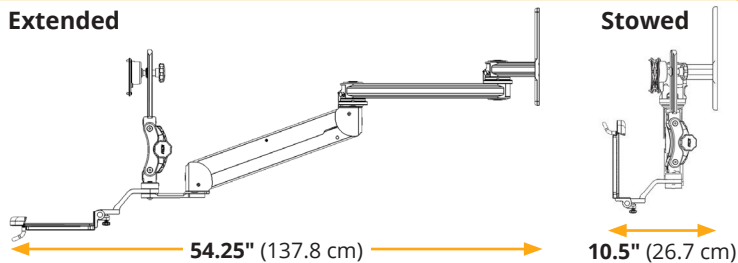


TMD50
Wall track 50"
\$137

Track Adapter Cross Reference

Product	Track Style & Adapter Part Number		
	Ultra	Horizontal MD	Vertical MD
Ultra arm on W2			TAW2KIT
Ultra arm on W3			TAW3KIT
Frame CPU mount	TAICWCPUKIT	TAHZMTKIT	TACPUKIT
Clamp CPU mount	TAICWCPUKIT		TAEZMTKIT

Track adapter kits are available to fit most tracks from other major suppliers.



ELP5120-WT-KUB

Single Elite 5120 Wall Mount

Enjoy effortless movement and optimum viewing angle

The single arm Elite with Paralink Swivel enables a monitor and keyboard to be suspended from the wall and pulled out effortlessly when needed. The arm adjusts vertically, horizontally and rotates 180° so you can position it exactly where you want it.

SPECIFICATIONS	
Load Capacity	30 lbs (13.6 kg) with LCD only
	22 lbs (10 kg) with LCD and Keyboard
Vert. Adjust. Range	21" (53.3 cm)
Maximum Reach	33.6" (85.3 cm) with LCD only
	43.75" (111.1 cm) with LCD and Keyboard
Stowed Depth	10.5" (26.7 cm)
Arm Swivel at Mount	360°
Screen Swivel	360°
Screen Tilt	180°
VESA Interface	75 mm and 100 mm

Monitor, keyboard and mouse not included.

Price:
\$925

Wrist rest included

Keyboard tilt

Accommodates all keyboards and monitors

Mouse tray slides out on both right and left sides

Keyboard Options

See page 46 for details.

Ceiling Mount
ELQ5120-C8X12
also available.
See pages 28-29



Price:
\$777

6-way monitor pan, tilt and rotate

5" (12.7 cm) parallel forward monitor adjustment

5" (12.7 cm) vertical monitor adjustment

90° Flip-up keyboard tray

Up to 270° Swivel

TRUE SIT-STAND workstation with 21" of vertical movement



Elite Single Arm Pole Mount
ELQ5120-PT2

Price:
\$756



Elite Single Arm Monitor Mount
ELQ5120-WT

Price:
\$751

Internal cable management creates a neater appearance, protects wires, simplifies cleaning

180° Swivel at wall

Mounting Options

- Mounts to wall as shown
- Ceiling mount, pages 28-29
- Wall tracks, page 17

Range of Motion Video

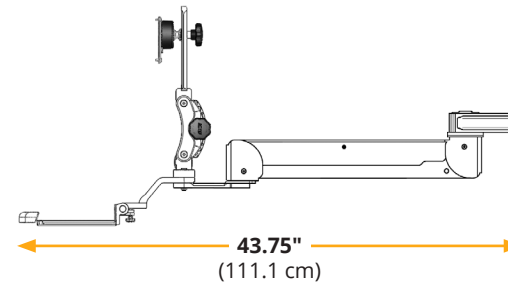


Adjustable rotation stops protect your equipment and facility

Gas spring assisted for effortless movement

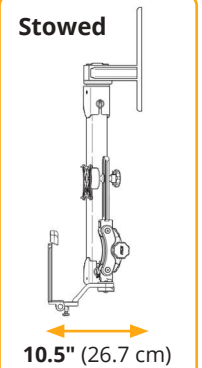
21" (53.3 cm) of vertical and horizontal adjustment from mount to tray

Extended



43.75" (111.1 cm)

Stowed



10.5" (26.7 cm)

Standard Color Options



7 custom colors available upon request. See the inside cover.

UL550-W3-KUB-A2

Ultra 550 Wall Mount

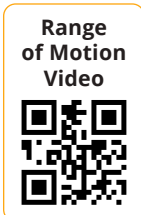
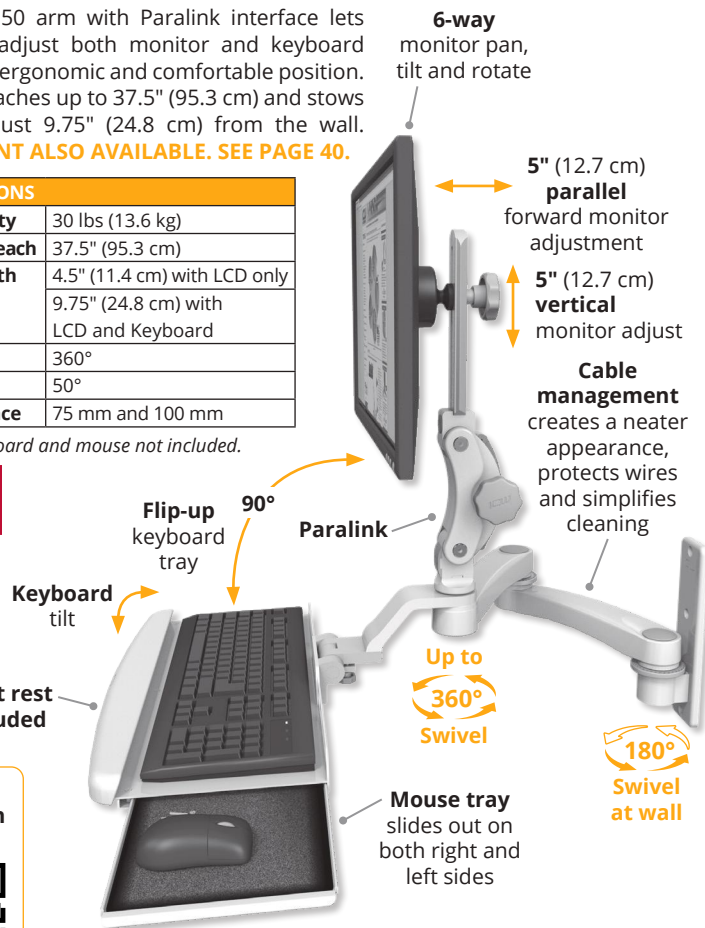
Ultimate flexibility with Paralink

The Ultra 550 arm with Paralink interface lets you easily adjust both monitor and keyboard to the most ergonomic and comfortable position. This arm reaches up to 37.5" (95.3 cm) and stows compactly just 9.75" (24.8 cm) from the wall. **DESK MOUNT ALSO AVAILABLE. SEE PAGE 40.**

SPECIFICATIONS	
Load Capacity	30 lbs (13.6 kg)
Maximum Reach	37.5" (95.3 cm)
Stowed Depth	4.5" (11.4 cm) with LCD only
	9.75" (24.8 cm) with LCD and Keyboard
Arm Swivel	360°
Screen Tilt	50°
VESA Interface	75 mm and 100 mm

Monitor, keyboard and mouse not included.

Price:
\$727



Range of Motion Video

- Mount Options**
- W3** MD Wall mount 9.5"
 - T19** Ultra Wall track 19"
 - T36** Ultra Wall track 36"
 - T50** Ultra Wall track 50"

Track, pole and desk mount options available

Keyboard Options
See page 46 for details.

Arm Extension Options
Ultra arms can be ordered as one or two 11" extensions.

UL510-W3-KUB-A2

Ultra 510 Wall Mount

Move components together — adjust them separately

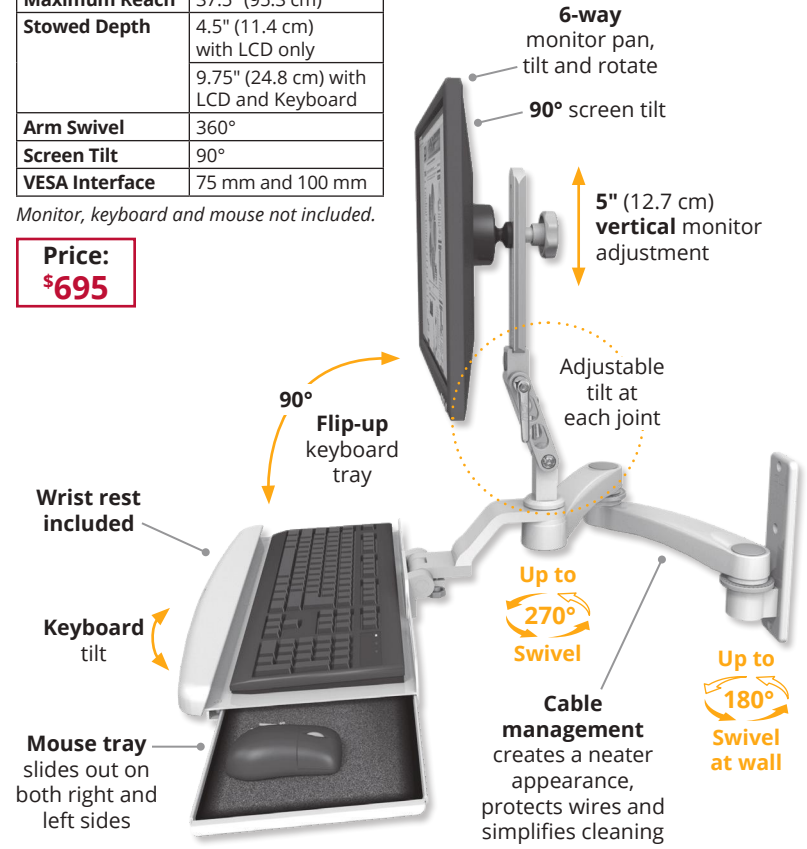
Widely used in medical and dental environments, the Ultra 510 arm allows full articulation of the monitor and keyboard. It has two articulating joints that together provide 90° of tilt adjustment with safety stops, and has two handles that lock positions. This system can be mounted with two articulating extension arms, allowing for up to 37.5" (95.3 cm) of reach with a keyboard tray. **DESK MOUNT ALSO AVAILABLE. SEE PAGE 41.**

Mount, keyboard, and arm extension options are the same as the Ultra 550 on previous page.

SPECIFICATIONS	
Load Capacity	18 lbs (8.2 kg)
Maximum Reach	37.5" (95.3 cm)
Stowed Depth	4.5" (11.4 cm) with LCD only
	9.75" (24.8 cm) with LCD and Keyboard
Arm Swivel	360°
Screen Tilt	90°
VESA Interface	75 mm and 100 mm

Monitor, keyboard and mouse not included.

Price:
\$695



Standard Color Options

- Medical White (MW)
- Black (WB)
- Quartz Gray (QG)

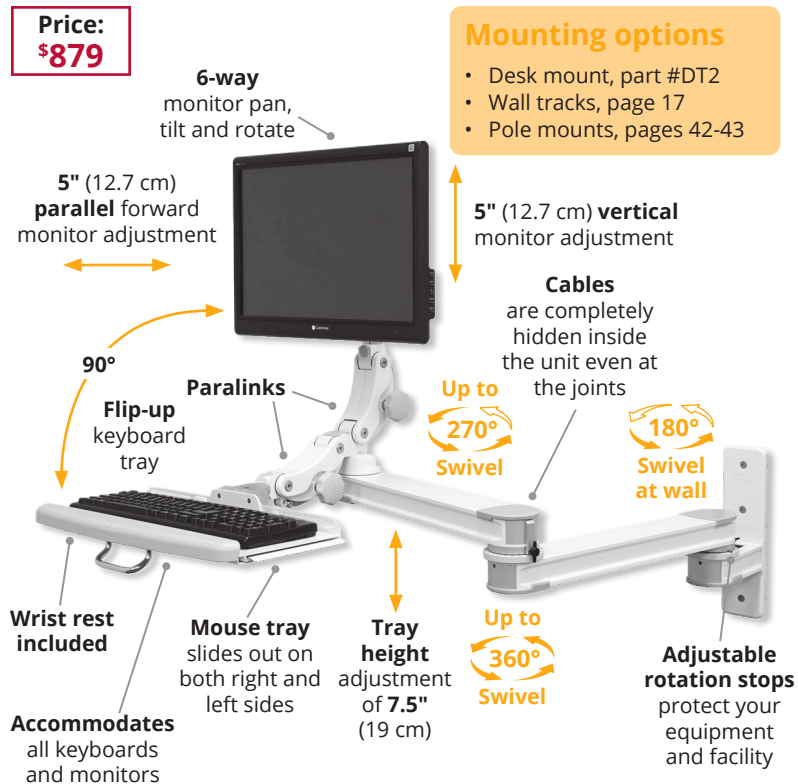
7 custom colors available upon request. See the inside cover.

T2P2020-WT2-KPB

Titan Arm Wall Mount

Components move together and adjust separately

The Titan with Paralink is the premier rigid mount, providing smooth horizontal articulation and long reach. With full internal cable management from the wall to the monitor and keyboard, this arm moves effortlessly. Available with desk, wall, wall track and pole mount options.



SPECIFICATIONS	
Load Capacity	30 lbs (13.6 kg)
Keyboard Tray Size	19" x 10" (48.3 cm x 25.4 cm)
Maximum Reach	63" (160 cm) with Keyboard
Stowed Depth	11.8" (30 cm)
Screen Swivel	360°
Screen Tilt	50°
VESA Interface	75 mm and 100 mm

Monitor and keyboard not included.

STOWED



10.5" (26.7 cm)

Range of Motion Video



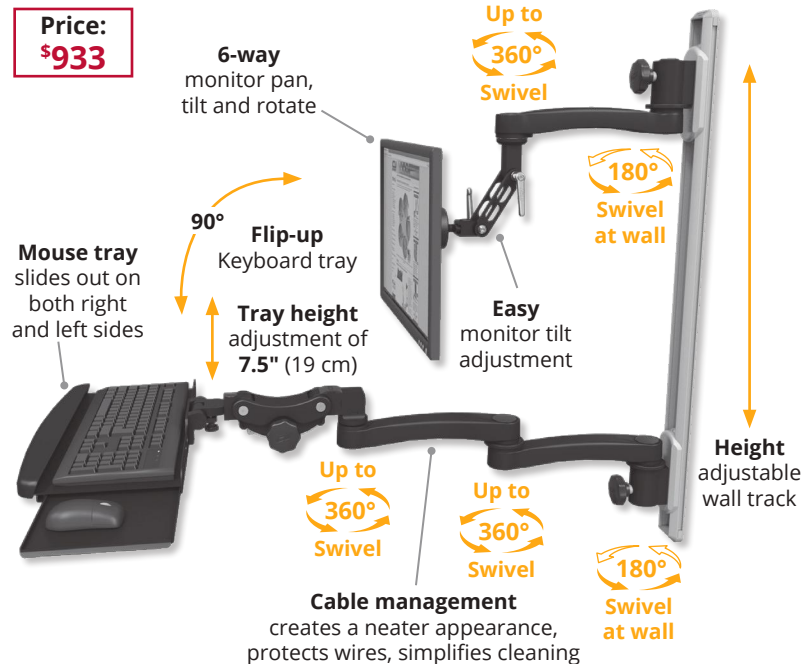
For more options visit our website or call your customer service representative.

UL500i-T36D-KPB-A3

Ultra 500i Wall Track Workstation

Inverted monitor workstation easily fits into small spaces

The Ultra 500i Workstation is an ideal choice for healthcare environments where space is at a premium. The ultra-maneuverable LCD and keyboard mounting system fits on a slim wall track, reaches up to 42" (106.7 cm) with two arms and folds to a compact 5.5" (14 cm) against the wall. Available in many configurations. Contact your customer service representative for configuration options not shown on this page.



SPECIFICATIONS	
Load Capacity	18 lbs (8.2 kg) with LCD only
	28 lbs (12.7 kg) with LCD and Keyboard
Maximum Reach	42" (106.7 cm)
Stowed Depth	5.5" (14 cm)
Arm Swivel	180° at mount
	360° at first and second joints
Screen Tilt	180°
VESA Interface	75 mm and 100 mm

Monitor, keyboard and mouse not included.

Keyboard Options
See page 46.

Track Options

T19
Wall track 19"

T36
Wall track 36"

Range of Motion Video



Standard Color Options

Medical White (MW)

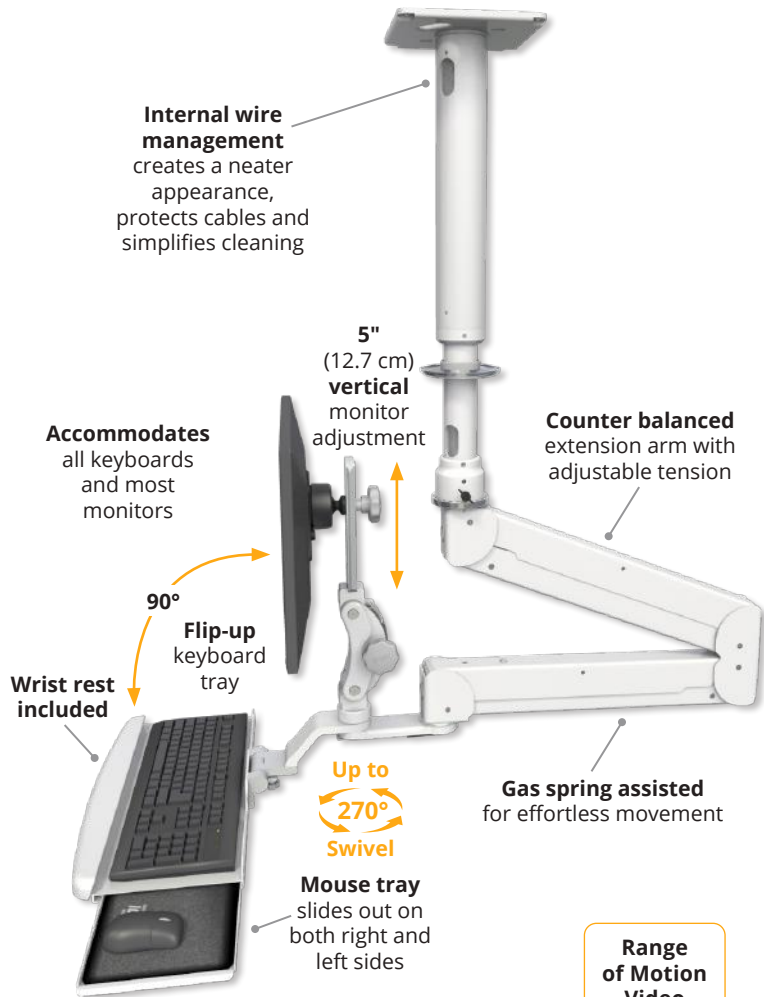
Black (WB)

Quartz Gray (QG)

7 custom colors available upon request. See the inside cover.

ELP6220-XT12-KUB

Elite 6220 Ceiling Mount



SPECIFICATIONS	
Load Capacity	30 lbs (13.6 kg) with LCD only 22 lbs (10 kg) with LCD and Keyboard
Vertical Movement	38" (96.5 cm)
Diameter of Motion	68" (172.7 cm)
Arm Swivel	180° at mount (stop pins provided)
Tray Tilt	6° up (positive) / 11° down (negative)
Tray Swivel	240°
Adjustable Drop Pole Options	XT24: 26" to 37" (66 cm to 94 cm) XT12: 19" to 26" (48.3 cm to 66 cm)

Monitor, keyboard and mouse not included.

For more options visit our website or call your customer service representative.



Price:
\$1,692

Ideal for ceiling mount that requires a keyboard.

- **ONE-OF-A-KIND DESIGN** with sleek and sturdy construction. Engineered for years of reliable service.
- **MOUNT** stows conveniently overhead and rests 12" (30.5 cm) from the base of the drop pole.
- **FULLY CONCEALED** internal cable management protects cabling.
- **REMOVABLE STOP PIN** prevents mount from turning 360° and twisting cables internally.
- **ADJUSTABLE DROP POLE** has two retracting options — 19" to 26" (48.3 cm to 66 cm) and 26" to 37" (66 cm to 94 cm).
- **STOWS SAFELY** out of the way, overhead above the user at 6'6".

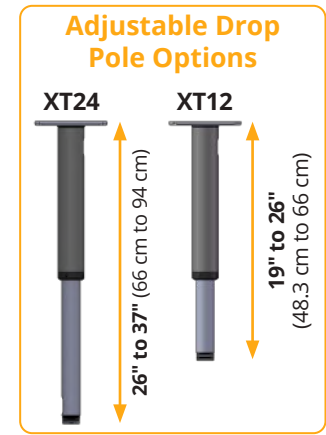
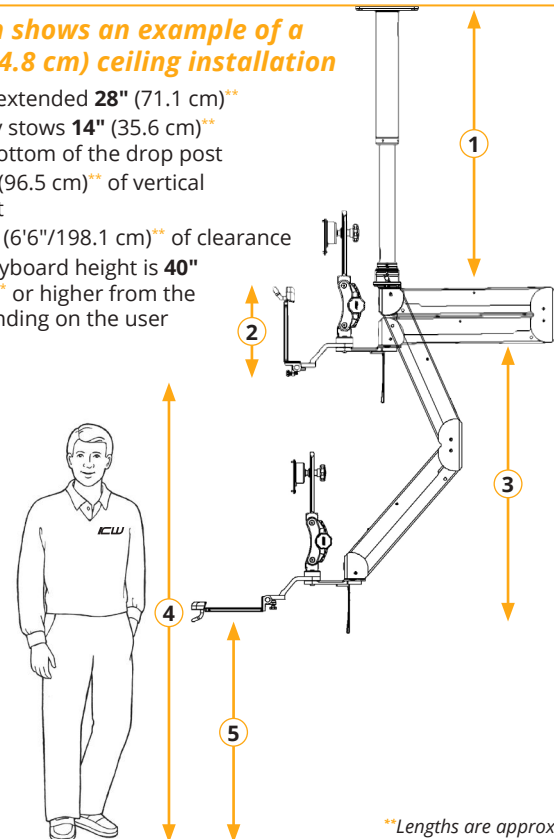


Illustration shows an example of a 10-foot (304.8 cm) ceiling installation

1. Drop pole extended **28"** (71.1 cm)**
2. Completely stows **14"** (35.6 cm)** from the bottom of the drop post
3. Offers **38"** (96.5 cm)** of vertical adjustment
4. Leaves **78"** (6'6"/198.1 cm)** of clearance
5. Optimal keyboard height is **40"** (101.6 cm)** or higher from the floor depending on the user



**Lengths are approximate

Standard Color Options



7 custom colors available upon request. See the inside cover.

T2EQ-C8X5

Titan Elite Ceiling Mount

Ideal for operatories, this monitor mount provides effortless positioning

The Titan Elite allows a monitor to be securely mounted from the ceiling or headwall shelf, pulled down when needed, then stowed up and out of the way. With multiple pivot points, this arm enables vertical and horizontal adjustments along with 360° of rotation.

SPECIFICATIONS	
Load Capacity	28 lbs (12.7 kg)
Lift Distance	21" (53.3 cm)
Maximum Reach	42" (106.7 cm)
Arm Swivel at Mount	360°
Screen Swivel	360°
Screen Tilt	50°
VESA Interface	75 mm and 100 mm
Extension Pipe	5" included

Monitor not included.

Price:
\$1,037



Screen tilt at ball joint
50°

EASY TO WIRE
Does not require disassembly. Wires run through the joints.

Under-monitor handle adjusts arm with ease, protects monitor from fingerprints

5" (12.7 cm) extension pipe included

360° Swivel

360° Swivel at joint

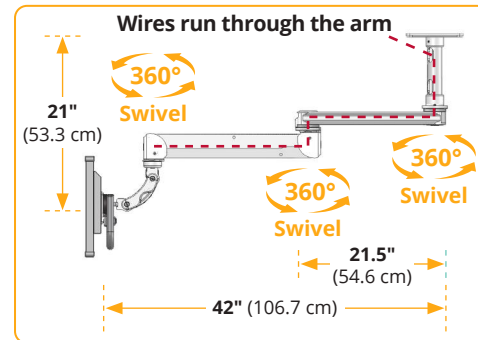
Brake and adjustable rotation stops protect your equipment and facility

90°
Counter-balanced extension arm with adjustable arm tension

Internal wire management creates a neater appearance, protects cables, and simplifies cleaning

360° Monitor swivel

Titan Arm Option
The Titan section of this arm can be ordered in a 12" length to fit smaller spaces. The 20" length is shown here.

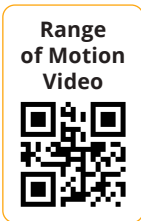


Ceiling Mount Extension Pipe Options
Available in four lengths:

XE5 5" (12.7 cm)	XE12 12" (30.5 cm)	XE24 24" (61 cm)	XE36 36" (91.4 cm)

Contact your ICW Dental representative for final pricing.

Titan Elite Ceiling Mount (T2EQ-C8X5)			
XE5	XE12	XE24	XE36
Included in base price	Add \$42	Add \$53	Add \$58



Standard Color Options
7 custom colors available upon request. See the inside cover.

Medical White (MW)	Black (WB)	Quartz Gray (QG)
--------------------	------------	------------------

For more options visit our website or call your customer service representative.

ELQ5120-C8X5

Single Elite 5120 Ceiling Mount

Ideal for monitor viewing, this monitor mount can be positioned with one hand

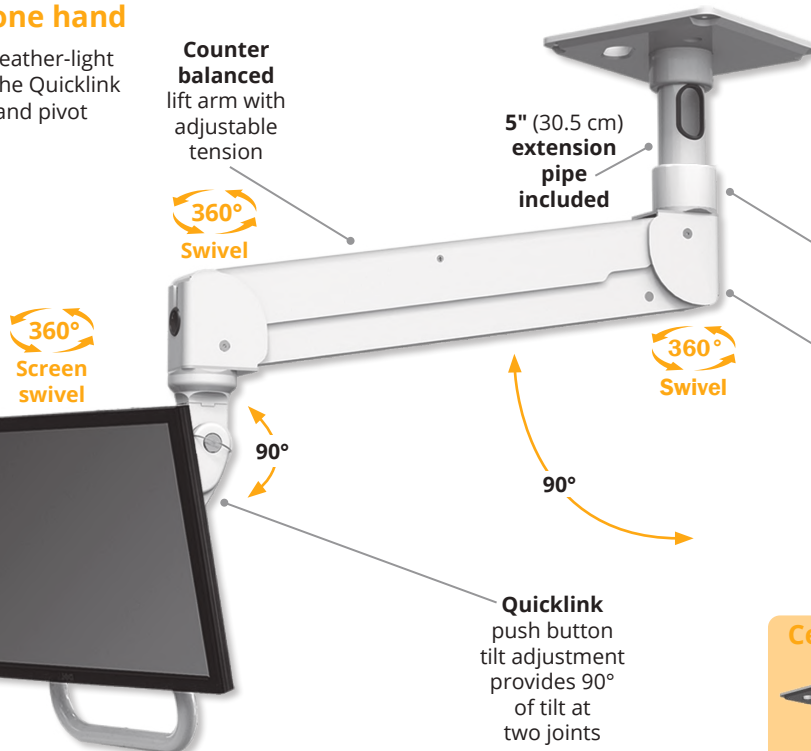
The Single Elite was designed to move with a feather-light touch. It features 90° of tilt at each joint with the Quicklink push button adjustment plus 50° monitor tilt and pivot at its compact ball joint.

SPECIFICATIONS	
Load Capacity	28 lbs (12.7 kg)
Lift Distance	21" (53.3 cm)
Maximum Reach	27" (68.6 cm)
Arm Swivel at Mount	360°
Screen Swivel	360°
Screen Tilt	50°
VESA Interface	75 mm and 100 mm

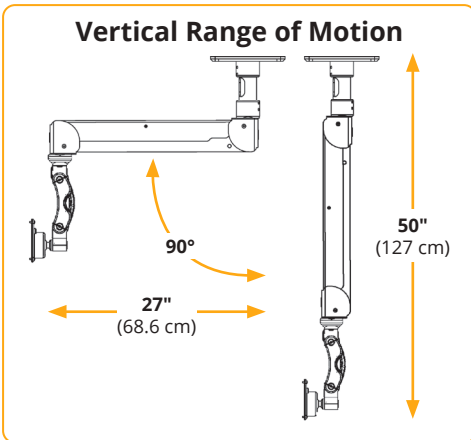
Monitor not included.

Price:
\$746

Screen tilt at ball joint
50°



Compact ball joint provides monitor tilt and pivot



EASY TO WIRE
Does not require disassembly.
Wires run through the joints.



Adjustable rotation stops protect your equipment and facility

Internal wire management creates a neater appearance, protects cables, simplifies cleaning

Ceiling Mount Extension Pipe Options
Available in four lengths:

Model	Length
XE5	5" (12.7 cm)
XE12	12" (30.5 cm)
XE24	24" (61 cm)
XE36	36" (91.4 cm)

Contact your ICW Dental representative for final pricing.

Single Elite 5120 Ceiling Mount (ELQ5120-C8X12)

Model	Price
XE5	Included in base price
XE12	Add \$42
XE24	Add \$53
XE36	Add \$58

Standard Color Options

Medical White (MW)	Black (WB)	Quartz Gray (QG)
--------------------	------------	------------------

7 custom colors available upon request. See the inside cover.

For more options visit our website or call your customer service representative.

UL95-CU


Ultra 95 Ceiling Mount

Position your monitor to exactly the height you need

The Ultra 95 mounts securely from the ceiling with a telescoping pipe, making it an excellent choice for healthcare environments.

Price:
\$286


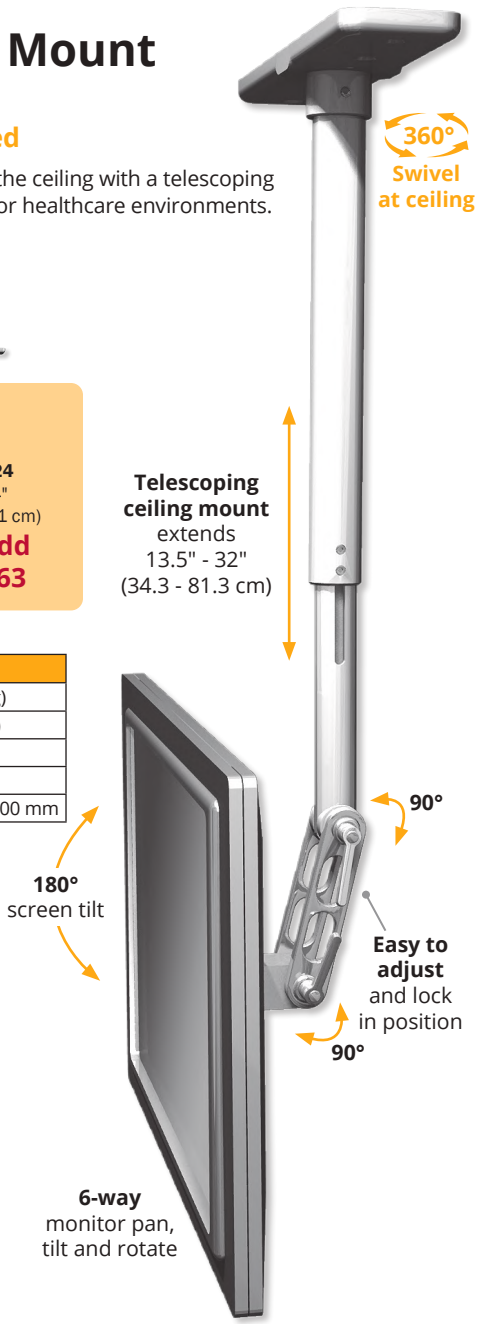
Extension Pipes available in two lengths

	X12 12" (30.5 cm)	X24 24" (61 cm)
	add \$41	add \$63

SPECIFICATIONS	
Load Capacity	18 lbs (8.2 kg)
Lift Distance	18.5" (47 cm)
Screen Swivel at Ceiling	360°
Screen Tilt	180°
VESA Interface	75 mm and 100 mm

Monitor not included.

Ultra Secure
The Ultra 95 ceiling mount is secured to a stud in the ceiling using four countersunk wood screws that are provided with the unit.

UL500i-C8X12

Ultra 500i Ceiling Mount

Offering a wide range of tilt and pivot options

The Ultra 500i mounts from the ceiling on an extension pipe made of true 2" o.d. structural tubing for side load support. Choose the length that best meets your needs.

Price:
\$317

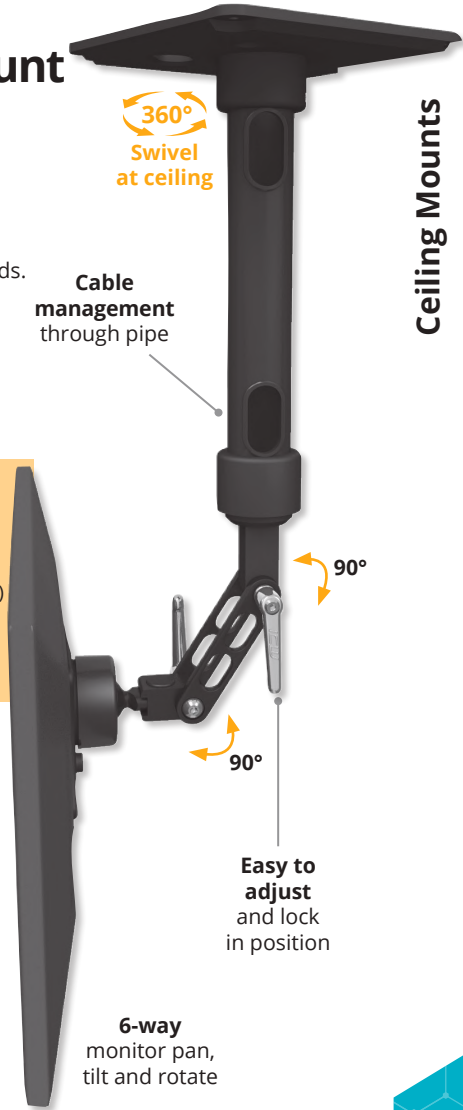
Extension Pipes available in three lengths

	XE12 12" (30.5 cm)	XE24 24" (61 cm)	XE36 36" (91.4 cm)
	included in base price	add \$53	add \$58




SPECIFICATIONS	
Load Capacity	18 lbs (8.2 kg)
Screen Swivel (Bottom of Pipe)	360°
Screen Tilt	180° (forward or down)
VESA Interface	75 mm and 100 mm

Monitor not included.

Mounting plate
C8X 8" x 8" plate

Standard Color Options

			7 custom colors available upon request. See the inside cover.
---	---	---	---

For more options visit our website or call your customer service representative.

UL182I-PS28-XU25

Pro Slide Overcabinet Monitor Mount

Convenient and Durable Overcabinet Monitor Mount

The Pro Slide Overcabinet Monitor Mount features an articulating Ultra 182 arm connected to a drop pole with an easy-to-use handle below the monitor.



- **UNIVERSAL TRACK*** can mount above any cabinet. Competitor's mounts will only fit on their own proprietary cabinets.
- **WILL NOT DAMAGE CABINET** with vertical movement as mount includes adjustable stop.
- **MOUNT SLIDES 22"** (55.9 cm) along standard 28.4" (72.1 cm) track which can be customized to extended or reduced lengths.
- **EASY ONE-FINGER MOVEMENT** vertically and horizontally without noisy chatter when the mount slides across the track.
- **VERTICAL LIFT** is 15" (38.1 cm).
- **DOES NOT REQUIRE A COMPRESSOR** to operate.
- **CYCLE-TESTED FOR 80,000 SLIDES** with no damage or noticeable wear.
- **WEIGHT-TESTED ON STANDARD CABINET MATERIAL AND FASTENERS FOR 166 lbs.** (75 kg) with no damage to the mount or cabinet.
- **CABLING IS DISCREETLY HIDDEN** in the slide track and internally through the mount.

SPECIFICATIONS	
Load Capacity	0-28 lbs (0-12.7 kg)
Vertical Lift	24" (61 cm)
Usable Vertical Lift	15" (38.1 cm)
Track Length	28.4" (72.1 cm)*
Usable Track Slide Length	22" (55.9 cm)
Swivel at Track	360°**

Price:
\$1,660

Range of Motion Video

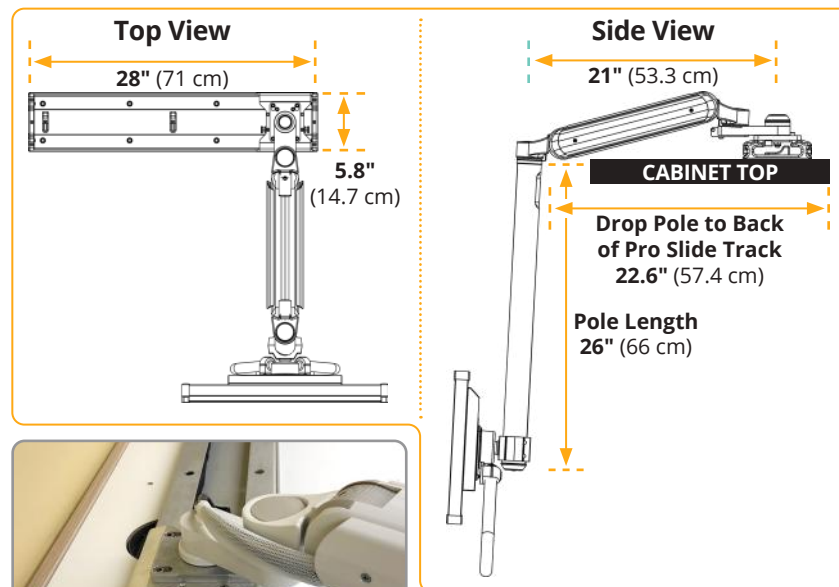


*Custom tracks can be cut to length by request.

**Swivel limited to 180° when cabinet is against wall.

Cabinet, monitor, keyboard and mouse not included.

For more options visit our website or call your customer service representative.



Pro Slide Track

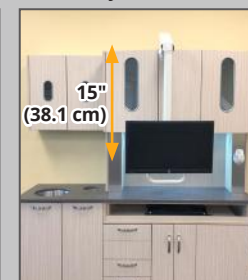
The Pro Slide's track provides smooth, effortless movement for the user while eliminating potential chatter and offers a unique professional wire management system that is both aesthetic and protects cables from damage.

Pro Slide Overcabinet Monitor Mount Range of Movement

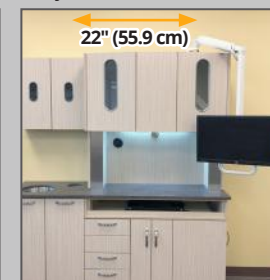
The Pro Slide track allows the mount to glide across the top of the cabinet to either side and conveniently stows out of the way when not in use.



Rotates 360° at track and 180° when against wall.



Features 15" (38.1 cm) of usable vertical movement.



Mount slides 22" (55.9 cm) along track. Custom track sizes available.

Standard Color Options



7 custom colors available upon request. See the inside cover.

UL182I-EV7-PS28-D0-KUB

Pro Slide Undercabinet Workstation

Convenient and Durable Undercabinet Monitor Mount

The Pro Slide Undercabinet Workstation with Keyboard Tray features an articulating Ultra 182 arm connected to our standard KUB keyboard tray.



PRO SLIDE TRACK allows mount to slide to either side of cabinet in one smooth motion without unnecessary chatter

Price:
\$1,212

Cabinet, monitor, keyboard and mouse not included.

- **UNIVERSAL TRACK*** can mount to underside of any cabinet. Competitor's mounts will only fit on their own proprietary cabinets.
- **WILL NOT DAMAGE CABINET** with vertical movement as mount includes adjustable stop.
- **MOUNT SLIDES** 21.6" (54.9 cm) along standard 28" (71.1 cm) track which can be customized to extended or reduced lengths.
- **VERTICAL LIFT** is 24" (61 cm).
- **HORIZONTAL REACH** is 68" (172.7 cm) along a standard track.
- **DOES NOT REQUIRE A COMPRESSOR** in order to operate.
- **5-YEAR WARRANTY**
- **EASY ONE-FINGER MOVEMENT** vertically and horizontally without noisy chatter when the mount slides across the track.
- **CYCLE-TESTED FOR 80,000 SLIDES** without issues or noticeable wear.
- **WEIGHT-TESTED ON STANDARD CABINET MATERIAL AND FASTENERS FOR 166 lbs.** (75 kg) with no damage to the mount or cabinet.
- **CABLING IS DISCREETLY HIDDEN AND PROTECTED** in the slide track and internally through the mount, giving longer life to your mount and devices
- **KEYBOARD TRAY** is 20.2" (51.3 cm) wide and 8.9" (22.6 cm) offers adjustable tilt.

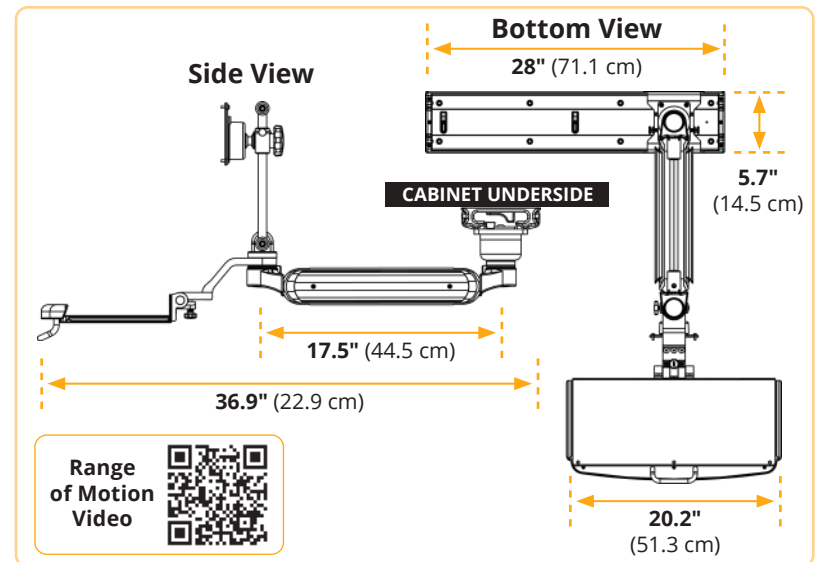
SPECIFICATIONS	
Load Capacity	0-28 lbs (0-12.7 kg)
Vertical Lift	24" (61 cm)**
Usable Vertical Lift	15" (38.1 cm)**
Horizontal Reach	68" (172.7 cm)
Track Length	28" (71.1 cm)*
Usable Track Slide Length	21.6" (54.9 cm)
Swivel at Track	360°***

*Custom tracks can be cut to length by request.

**Vertical and horizontal travel can be effected by cabinet's dimensions.

***Swivel limited to 180° when cabinet is against wall.

For more options visit our website or call your customer service representative.



Pro Slide Undercabinet Workstation fits like a glove beneath the cabinet.



The Pro Slide's track provides smooth, effortless movement for the user while eliminating potential chatter and offers a unique professional wire management system that is both aesthetic and protects cables from damage.

Pro Slide Undercabinet Monitor Mount Range of Movement



The Pro Slide track allows the mount to glide beneath the cabinet to either side and conveniently stows out of the way when not in use. Mount slides 21.6" (54.9 cm) along track (UL182IEV7S-PS28-D0-KUB model shown above).

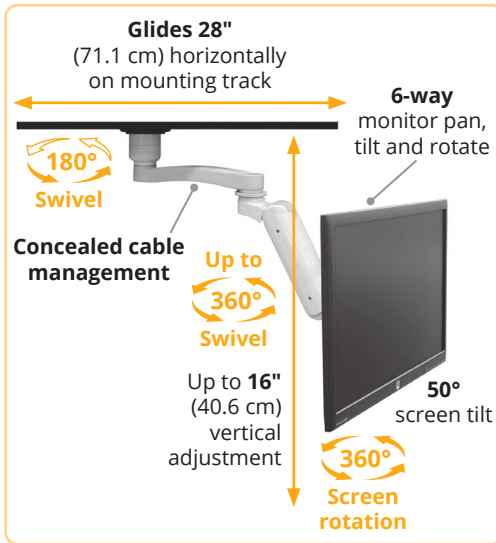
UL180I-BV-PS28-D1-A1

Ultra 180 Undercabinet Monitor Mount

Monitor glides 28" horizontally on undercabinet track. Three range of motion options:

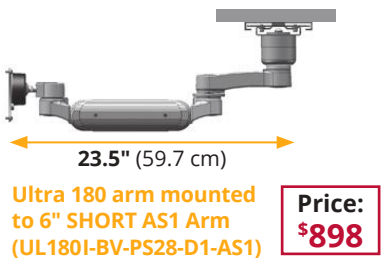
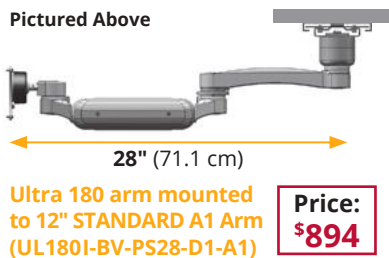
- Desk puck
- Short extension arm
- Standard extension arm

Patented Ultra 180 undercabinet mount offers full range of motion for your monitor. This arm provides up to 180° of vertical arm rotation and 360° of horizontal rotation. The Ultra 180 tucks away under the cabinet when not in use, making it the perfect choice for tight spaces.



SPECIFICATIONS	
Load Capacity	32 lbs (14.5 kg)
Horizontal Glide	28" (71.1 cm)
Ultra 180 Arm Reach	16" (40.6 cm)
Stowed Depth	10" (25.4 cm)
Arm Swivel	Up to 360°
VESA Interface	75 mm and 100 mm

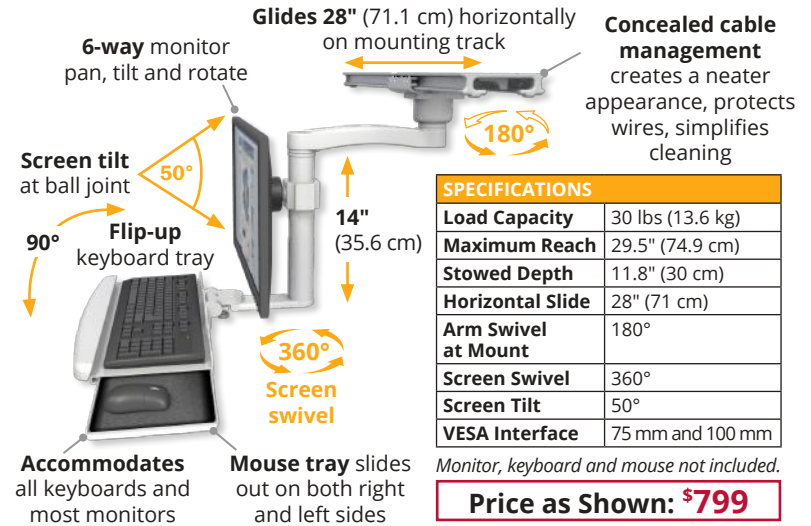
Monitor, keyboard and mouse not included.



ULBVI-PS28D0-KDB-A1

Undercabinet Workstation

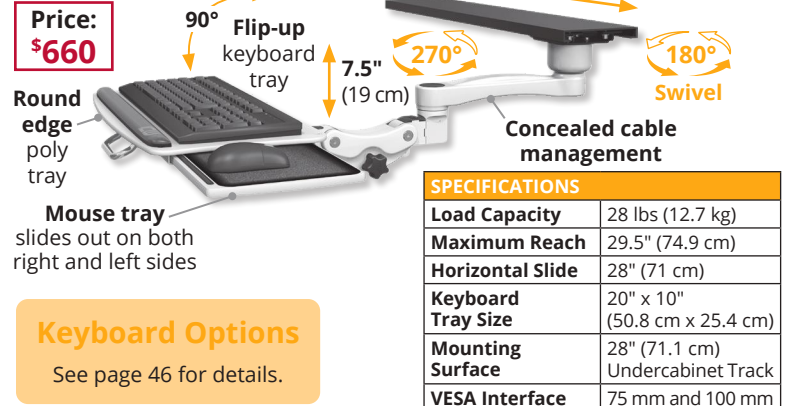
Our Undercabinet Workstation mounts beneath overhead cabinets, pulls out when needed and folds out of the way when not in use. Personalize your workstation with a stowable worksurface tray or a flip-up keyboard tray and choose the color that complements your decor.



KPB-PS28D1-A1

Undercabinet Keyboard Mount

The Ultra Undercabinet Keyboard mount provides ergonomic Paralink keyboard height adjustment to make your workspace more comfortable.



Monitor, keyboard and mouse not included.

Standard Color Options

- Medical White (MW)
 - Black (WB)
 - Quartz Gray (QG)
- 7 custom colors available upon request. See the inside cover.

For more options visit our website or call your customer service representative.

ELP5216-CT2-KDB

Desk Clamp Computer and Monitor Mount

Strong vice-style clamp can mount workstation or monitors



- **DESK MOUNT HEIGHTS** available for most ICW mount configurations.
- **RUBBER PADS** protect work surfaces from damage during Desk Mount Clamp placement or location readjustment.
- **USER-FRIENDLY** vice-style clamp makes workstation easy to remove, reattach or readjust along the desk's surface.
- **SOLID SUPPORT** for workstations with dual monitors.
- **IDEAL MOUNT** for offices and temporary workstations. Mounts most ICW mounts to a desk/table surface.

SPECIFICATIONS	
Load Capacity	18-45 lbs (8.2-20.4 kg)*
Available Riser Heights	1.25" (3.2 cm), 5" (12.7 cm), 7.5" (19.1 cm)
Minimum Surface Edge Depth	4" (10.2 cm)

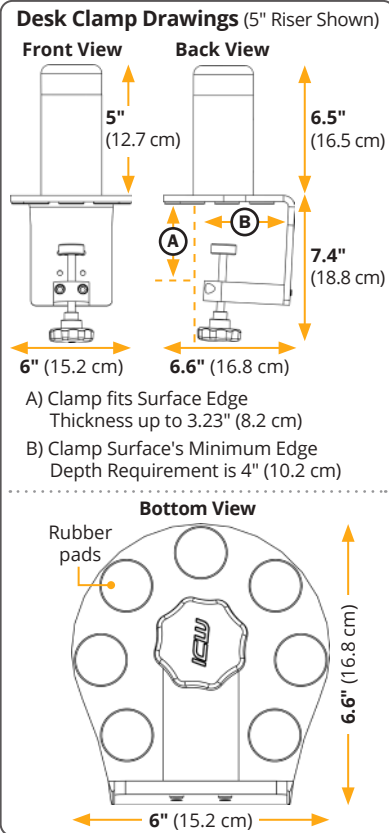
Computer, cables, power converter, monitor, keyboard and mouse not included.

*Load capacity depends on the capacity of the components mounted on the clamp. The clamp does not decrease or increase the mount's load capacity.

Range of Motion Video



Price as Shown: **\$1,209**



Tablet Mount - Professional

Adjustable. Theft-Resistant Fastener.

Securely holds tablets and provides exceptional range of motion. An excellent solution for retail points of sale, healthcare, dental and industrial applications.

- Spring loaded cradle expands and contracts to fit many tablet sizes.
- Theft resistant TABSDM secures tablet to plate. Requires custom ICW key for tablet removal.
- Mount adjusts 16.6" (42.2 cm) vertically, swivels 360°, tilts to any viewing angle.
- Attaches to a counter or desk with either a clamp or desk mount.
- Optional, TAB12 Series will hold larger tablets such as the iPad Pro and Surface 4.
- All tablet mounts have a 100mm x 100 mm VESA pattern so tablet mounts can also be added to any ICW mount.



TABSDM: Theft Resistant Desk Mount
TABCC: Clamp Mount

Price: **\$318**

TABV: Tablet Mount Plate with 100mm VESA compatibility

Price: **\$170**

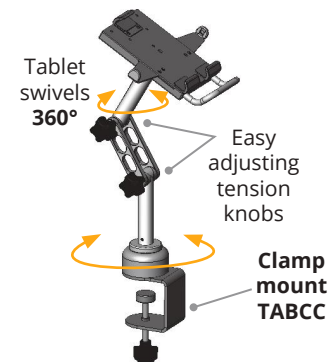
TABV12: For Larger Tablets

Price: **\$186**

SPECIFICATIONS	
"TAB Series" Tablet Size	Min: 6.5" x 9.5" (16.5 cm x 24.1 cm)
	Max: 8" x 11.5" (20.3 cm x 29.2 cm)
"TAB 12 Series" Tablet Size	Min: 7.5" x 11.5" (19.1 cm x 29.2 cm)
	Max: 9" x 13.5" (22.9 cm x 34.3 cm)
"TAB V12 Series" Tablet Size	Min: 7.5" x 11.5" (19.1 cm x 29.2 cm)
	Max: 9" x 13.5" (22.9 cm x 34.3 cm)

Tablet not included.

Range of Motion Video



Standard Color Options

- Medical White (MW)
- Black (WB)
- Quartz Gray (QG)

7 custom colors available upon request. See the inside cover.



Desk Mount TABSDM



Undercabinet Tablet Mount

UL550-D5-KDB-A2

Ultra 550 Desk Mount

Exceptional maneuverability

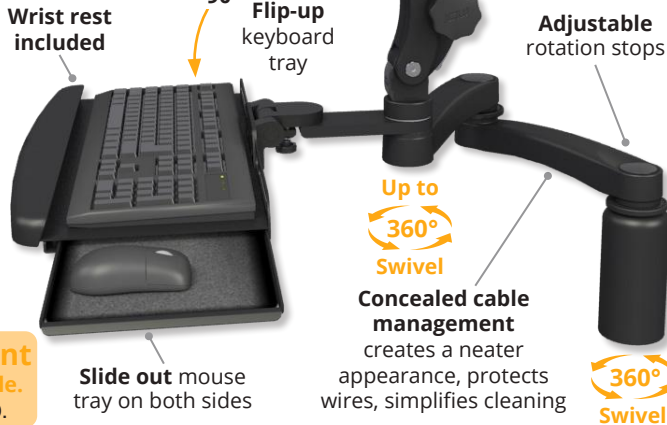
The Ultra 550 arm with Paralink interface allows the full articulation of the monitor and keyboard. Extending up to 45" (114.3 cm) from the mount to the tip of the keyboard tray, this arm folds up tightly against the wall when stowed.

Effortless adjustability

SPECIFICATIONS	
Load Capacity	30 lbs (13.6 kg)
Maximum Reach	40" (101.6 cm)
Stowed Depth	3" (7.6 cm) with LCD only 12" (30.5 cm) with LCD and Keyboard
Arm Swivel	360°
Screen Swivel	360°
Screen Tilt	50°
VESA Interface	75 mm and 100 mm

Monitor, keyboard and mouse not included.

Price: \$758



Range of Motion Video



Wall Mount also available.
See page 20.

AS1

Ultra AS1 Short Extension Arm

Rigid short extension arm adds 6" more reach at either end of arm.

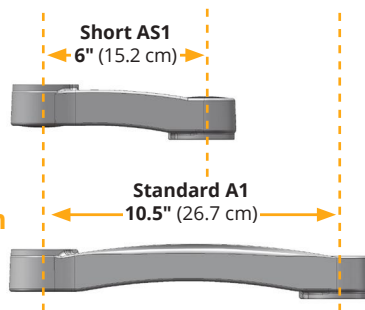
Price: \$74

A1

Ultra A1 Standard Extension Arm

Rigid standard extension arm adds 10.5" more reach to Ultra series arms.

Price: \$74



For more options visit our website or call your customer service representative.

UL510-D5-KDB-A2

Ultra 510 Desk Mount

Move components together — adjust them separately

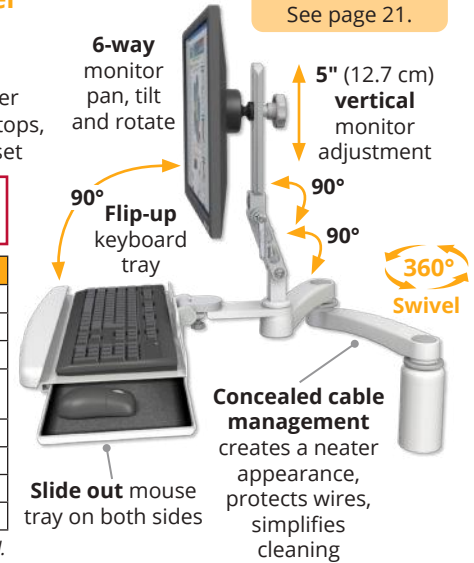
The Ultra 510 workstation has two articulating joints that together offer 90° of tilt adjustment with safety stops, plus two locking handle cranks to set positions. It is widely used in medical and dental settings.

Price: \$726

SPECIFICATIONS	
Load Capacity	18 lbs (8.2 kg)
Maximum Reach	37.5" (95.3 cm)
Stowed Depth	4.5" (11.4 cm) with LCD 9.75" (24.8 cm) with LCD and Keyboard
Arm Swivel	360°
Screen Swivel	360°
Screen Tilt	50°
VESA Interface	75 mm and 100 mm

Monitor, keyboard and mouse not included.

Wall Mount also available.
See page 21.



LUS-D1-A1

Stowable Laptop Tray

- **OPTIONAL SLIDING MOUSE TRAY** (on LUS model) can be pulled out to left or right side.
- **GENEROUS SIZE** fits most laptop computers. Space-saving profile.
- **ERGONOMIC** laptop tray adjusts to positive, neutral, and negative tilt for maximum ergonomic benefit.
- **STOWS** just 6.25" (15.9 cm) from the wall on an Ultra arm.
- **MOUNTS** to most ICW mount configurations.
- **AVAILABLE** in options that mount to the wall, a wall track, desk or pole.



LUS-D1-A1

Price as Shown: \$429

SPECIFICATIONS	
Load Capacity	30 lbs (13.6 kg)
Laptop Tray Size	16.4" width x 12" length (41.7 cm x 30.5 cm)
Stowed Depth	6.25" (15.9 cm)
Tray Swivel	180°
Tray Tilt	90°

Laptop not included.

Standard Color Options



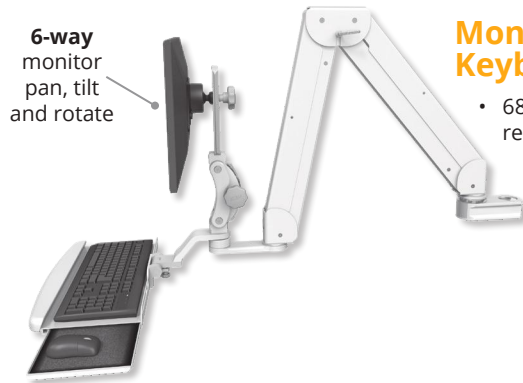
7 custom colors available upon request. See the inside cover.



Pole Mount Laptop Tray (LUS-P2-A2)

Price as Shown: \$503

Pole Mounts

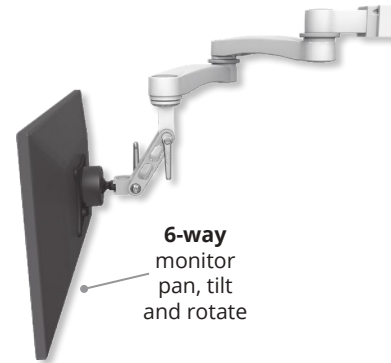


ELP5220-PT2-KUB

Monitor and Keyboard Pole Mount

- 68.25" (173.4 cm) maximum reach with monitor and keyboard
- 50° of screen tilt
- VESA compliant

Price:
\$1,201

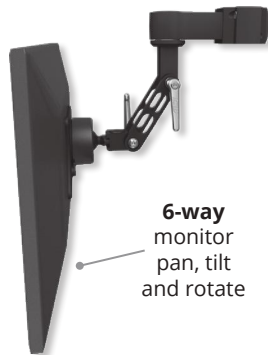


UL500I-P2-A2

Monitor Pole Mount

- Provides vertical and horizontal monitor positioning
- Easily adjusts and tightens into position with indexing handles
- Mounts with two articulating 11" (27.9 cm) arm extensions
- VESA compliant

Price:
\$370

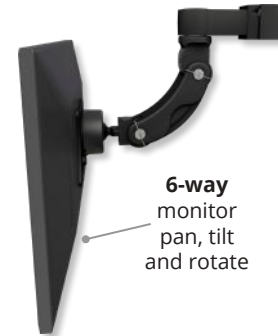


UL500I-P2

Compact Monitor Pole Mount

- Two adjustable tilt joints
- 360° of tilt in any direction (limited by pole)
- 360° of pivot
- VESA compliant

Price:
\$296



UL560I-P2

Monitor Pole Mount

- Monitor is mounted below the arm and provides a wide range of tilt
- Quicklink adjuster allows full articulation of the monitor
- VESA compliant

Price:
\$445



T2P2020-PT2-KPB

Monitor and Keyboard Pole Mount

- Full internal cable management
- Parallel keyboard height and monitor depth adjustment
- VESA compliant

Price:
\$884



UL510-R2-KUB

Monitor and Keyboard Pole Mount

- Allows full articulation of the monitor
- Two handles next to the monitor tighten the monitor into position
- The monitor can be adjusted 4" (10.2 cm) vertically on two stainless steel rails
- VESA compliant
- Only available for mounting on 2" pole

Price:
\$631

Standard Color Options



7 custom colors available upon request. See the inside cover.

For more options visit our website or call your customer service representative.

EV710-DV75

Ergovision 710 Desk Mount

Your best choice for point of sale locations

The Ergovision 710 desk mount was ergonomically designed to reduce users' neck pain and stiffness.

SPECIFICATIONS	
Load Capacity	28 lbs (12.7 kg)
Vertical Adjust	9.5" (24.1 cm)
Screen Swivel	360°
Screen Tilt	60°
VESA Interface	75 mm and 100 mm

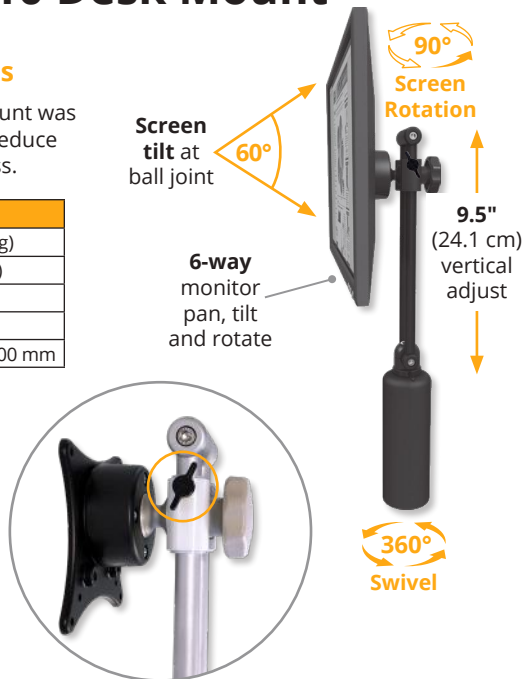
Monitor not included.

Price: **\$265**

Mount Options

Your choice. Included in base price.

- DV1 Desk mount 1"
- DV3 Desk mount 3"
- DV5 Desk mount 5"
- DV75 Desk mount 7.5"



EV710 Friction Lock helps supports heavier monitors. Turn friction lock to secure EV710 slider in place.

EV65-W2

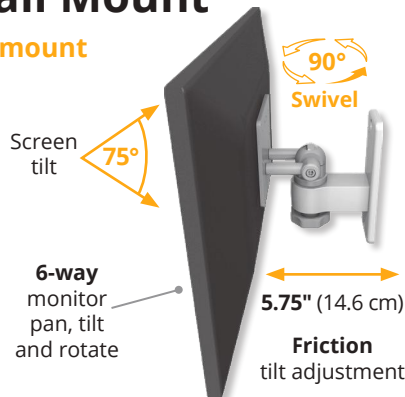
Ergovision 65 Wall Mount

Compact, durable monitor mount

SPECIFICATIONS	
Load Capacity	30 lbs (13.6 kg)
Distance from Wall	9.5" (24.1 cm)
Screen Swivel	90°
Screen Tilt	75°
VESA Interface	75 mm and 100 mm

Monitor not included.

Price: **\$191**



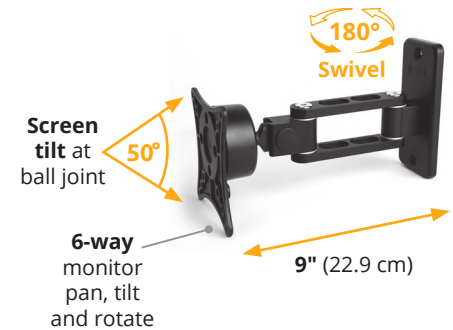
GX270-WM

Galaxy 270

Pivoting compact arm wall mount

SPECIFICATIONS	
Load Capacity	28 lbs (12.7 kg)
Distance from Wall	9" (22.9 cm)
Stowed Profile	4" (10.2 cm)
Arm Swivel at Mount	180°
VESA Interface	75 mm and 100 mm

Price: **\$170**



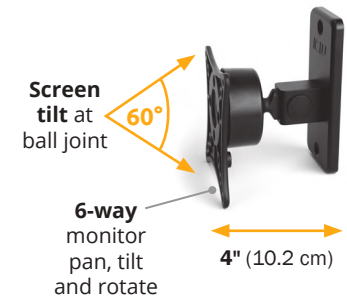
GX170-WM

Galaxy 170

Compact wall mount

SPECIFICATIONS	
Load Capacity	28 lbs (12.7 kg)
Distance from Wall	4" (10.2 cm)
Arm Swivel at Mount	180°
VESA Interface	75 mm and 100 mm

Price: **\$117**



FM25, FM26, FM30, FM31

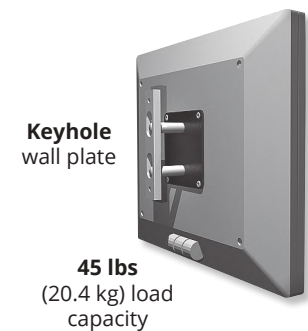
Fixed Wall Mount

Easy install for kiosks and trade show exhibits

Load Capacity: 45 lbs (20.4 kg)

Model #	Distance from Wall
FM25	2" from wall with VESA 75 plate
FM26	1" from wall with VESA 75 plate
FM30	2" from wall with VESA 100 plate
FM31	1" from wall with VESA 100 plate

Price: **\$66**



For more options visit our website or call your customer service representative.

Keyboard Add-On Tray Options

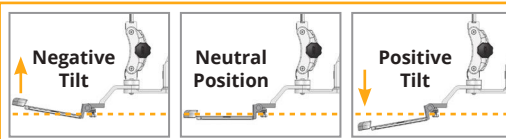
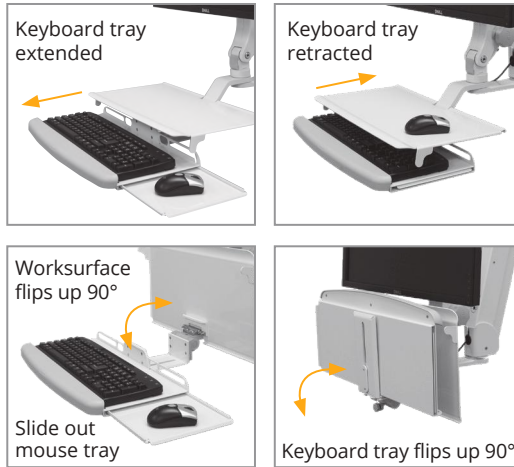
Prices may vary depending on mounting configuration requirements. Call about other keyboard tray sizes.

Keyboard Ultra Slide (KUS)

The 3-in-1 keyboard features a worksurface tray, keyboard tray and mouse tray in one compact, streamlined unit.

SPECIFICATIONS	
Keyboard Dimensions	Width: 13" Depth: 8"
Tray Dimensions	Width: 9.25" Depth: 10.2"
Stowed Depth	4"

Price:
\$398

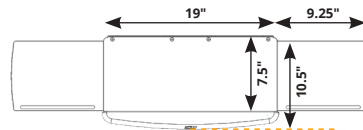


Keyboard Tray Tilt

Independent keyboard tray tilts while worksurface remains level.

KUB 19" Aluminum Tray with Built-In Wrist Rest

Mouse tray slides out on both right and left sides. Hand grip, removable wrist rest.



SPECIFICATIONS	
Keyboard Dimensions	Width: 19" Depth: 7.5"
Tray Dimensions	Width: 9.25" Depth: 10.5"
Prices	
KUB (Ultra Flip-Up)	\$239
KPB (Paralink)	\$254

KUW WorkSurface Tray



Price:
\$419

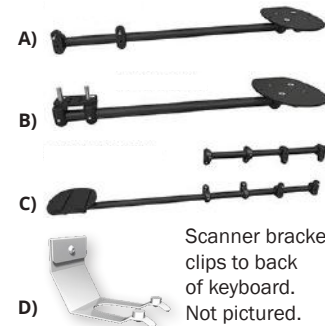
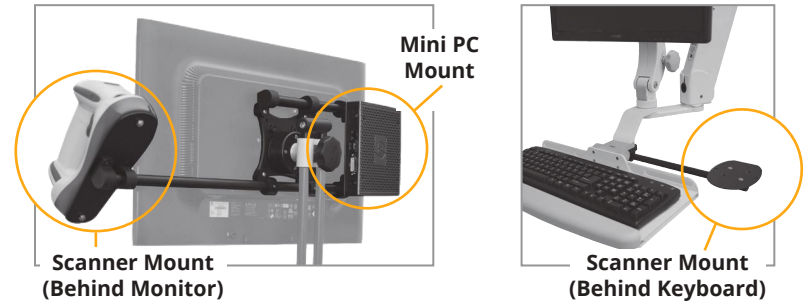
SPECIFICATIONS	
Keyboard Dimensions	Width: 20.75" Depth: 10.5" Height: 2.125"
Tray Dimensions	Width: 9.25" Depth: 10.2" Height: 2.125"
Keyboard Tray Fully Extended	Depth: 20"

For more options visit our website or call your customer service representative.

Scanner Mounts

Adjustable Behind-the-Monitor Scanner Mount and Mini PC Mount

Attaches mini-PCs and scanners to ALL standard VESA mounts. Expands, contracts, tilts and mounts where you need it. Contact your ICW representative for more information.



SCANNER MOUNTS		PRICE
A	Behind Monitor Scanner/Device Bracket (SCHO18X1902)	\$80
B	Behind Keyboard Scanner Bracket (SCHO15X1902)	\$90
C	MINIPC1212 and Scanner Mount (SCHOCPU1225X1902)	\$154
D	Universal Barcode Scanner Bracket (KSCANBRK)	\$30

Monitor and keyboard not included.

CPU12

Protective mount for small form factor computers

Sleek, sturdy case protects and conceals components

- HOLDS** a range of small form-factor computers that are compatible with 75 mm or 100 mm VESA patterns.
- FITS** small form factor computers up to 8" wide x 9" high x 2" deep (20.3 cm x 22.9 cm x 5.1 cm).
- COVER** swings open and lifts off for easy access to interior components, simplifying hardware installation and maintenance.
- VENTILATION** ports on each side prevent overheating of internal components while protecting them from liquids such as cleaning sprays.

Exterior Dimensions: 13" wide x 14" tall x 3" deep (33 cm x 35.6 cm x 7.6 cm)

Standard Color Options

Medical White (MW)

Black (WB)

Quartz Gray (QG)

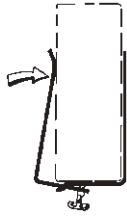
7 custom colors available upon request. See the inside cover.

Price: \$207



CPU and Device Mounts

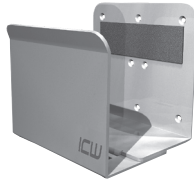
Clamp-Style Mount



Designed for large and small form factor CPUs, these units are constructed from heavy-duty aluminum, with neoprene padding for protection. Multiple mounting capabilities.



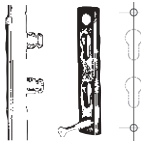
Small CPU-SF
2" to 4.7" wide



Large CPU-FF
4.6" to 8" wide

SPECIFICATIONS	
Load Capacity	45 lbs. (20.4 kg)
CPU-SF Horiz. Adjust.	2" - 4.7"
CPU-FF Horiz. Adjust.	4.6" - 8"
Prices	
All Sizes	\$133

Frame-Style Mount



The CPU Mini, CPU 2.8, CPU 5 and CPU 7 mounts were designed with a keyhole wall plate that makes it easy to take the CPU off the wall mount for maintenance. Includes security set screw.



Mini-T CPU-MINI
1.0" - 2.2" wide



Large CPU-7
7" - 11" wide

SPECIFICATIONS	
Load Capacity	45 lbs. (20.4 kg)
CPU-MINI T Horiz. Adjust.	1" - 2.2"
CPU-MINI Horiz. Adjust.	1.86" - 3.2"
Small CPU-2.8 Horiz. Adjust.	2.8" - 5"
Medium CPU-5 Horiz. Adjust.	5" - 7"
Large CPU-7 Horiz. Adjust.	7" - 11"
Prices	
All Sizes*	\$133
CPU-MINIT	\$138

*With the exception of Mini-T CPU-MINI.

FM-25 Fixed CPU Mount

SPECIFICATIONS	
Load Capacity	45 lbs (20.4 kg)
Profile	1.125" (2.9 cm) or 2.25" (5.7 cm)
VESA Interface	75mm and 100mm

Price: \$66

PAM Power Adapter Mount

Strap your computer or monitor's power adapter to our wall track using this accessory. This works perfectly with the FM-25 above.

Price: \$58



VESA Quick Connect (VQC) Plate



CPU with VQC plate shown being detached from back of monitor.



Monitor shown sliding from VQC plate base.

- **MOUNTS** vertically or horizontally (device or monitor must have flat mounting surface to mount quick release plate or a recessed area that must be at least 5" x 5½").
- **EASY ACCESS** to remove monitor or device.
- **ENHANCES ICW MOUNTS.**
- **LOCKING SET SCREEN** to prevent tampering.
- **ATTACHABLE** to all ICW monitor mounts.

SPECIFICATIONS	
Load Capacity	30 lbs (13.6 kg)
Dimensions	5" x 5½" x ½" (12.7 cm x 13 cm x 1.3 cm)
VESA Interface	75 mm and 100 mm

Monitor not included.

Price: \$69

Range of Motion Video 

CPUMF Small Form Factor Computer Mount

Sleek and sturdy case protects and neatly stores wide range of small form factor computers and components. Fits small form factor computers up to 7.8" high and 1 to 3" deep (2.5-19.7 cm x 7.6 cm). Mounts to back of monitor, track or wall.

Price: \$133



Shown mounted to back of monitor.

 **ICWUSA OFFERS THE LARGEST SELECTION OF CUSTOMIZED COMPUTER MOUNTS IN THE WORLD**



Not only are our arms tough, they're aesthetically pleasing. ICW's mounting solutions have been displayed in many award-winning dental operatory designs.

DISCOVER THE ADVANTAGE
DENTAL MOUNTING SOLUTIONS

ICW
DENTAL
A TouchPoint Medical Company

Custom & OEM Mounts from ICWUSA.com

When you have a specialized device mounting challenge, ICWUSA will work with you to create a custom solution that's effective and easy to use. Our in-house design, engineering and manufacturing make it possible to produce custom and OEM mounts for any device.

1 Made in USA means quality and high-speed turnaround

- ▶ Flexible, on-site manufacturing means we can quickly customize an existing mount to fit your specific device.

2 Over 6,000 modular arm configurations

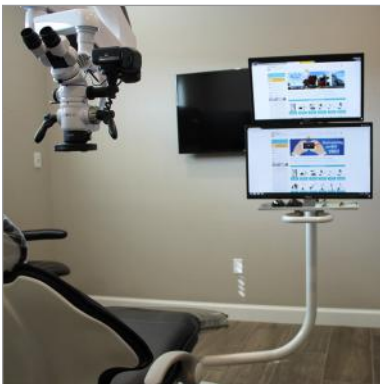
- ▶ World's largest variety of mounts.
- ▶ Our standard mounts have been modularly designed to integrate with each other and which fit most customer applications.

3 On-site design, engineering and manufacturing

- ▶ Designed, engineered, manufactured and assembled in Medford, Oregon.
- ▶ The caliber of our mounts is unmatched by products made overseas.

4 Durability you can depend on

- ▶ We construct our mounts using heavy duty internal and external components for long life.
- ▶ ICW mounts are finished with tough powder coating that's easy to clean and resistant to chemicals.



Using our standard arms as a foundation, ICW will build custom solutions catered to fit your specific workspace needs.



5 We'll engineer a fully custom mount to meet your challenges

- ▶ When you have a specialized device mounting challenge, ICW will work with you to create a solution that's effective and easy to use.
- ▶ Our in-house design, engineering and manufacturing enable us to produce custom mounts for any device.

6 Get the mounting solution you need, when you need it

- ▶ You won't have to send your work order overseas and wait two weeks for an answer.

7 Outstanding customer support

- ▶ Experienced on-site staff will answer your questions.



Custom & OEM Mounts Brochure



For more information, check out our Custom & OEM Mounts brochure by holding your phone's camera over the QR code (a picture may need to be taken). You can also download a PDF of this brochure and other documents at www.icwusa.com.

Product Warranty

What the Warranty Covers:

ICWUSA.com, Inc. warrants our product, under normal use, is free from any defects in materials and workmanship during the warranty period. ICWUSA.com, Inc., will, at its sole discretion, repair or replace the product with the same or like product.

How Long the Warranty is Effective:

All ICW components are warranted for 5 years from the original date of purchase, unless otherwise noted.

Who the Warranty Covers:

ICW extends the warranty to the first consumer purchaser when sold by ICWUSA.com, Inc., or an authorized dealer or distributor.

What the Warranty Does Not Cover:

1. Damage, deterioration, or malfunction resulting from any of the following:
 - Accident, misuse, neglect, fire, water, lightning, or other acts of nature; unauthorized product modification, or failure to follow instructions supplied with the product
 - Repair or attempted repair by anyone not authorized by ICWUSA.com, Inc.
 - Removal or installation of the product

- Use of supplies or parts not meeting ICWUSA.com, Inc.'s specifications
 - Normal wear and tear
2. Any products used for rental purposes
 3. Any ICW product that has been custom modified by anyone other than ICW
 4. Removal, installation, or set up service charges.
 5. Freight charges to return the product to ICWUSA.com, Inc. are the customer's responsibility.
 - On warranty repairs, ICWUSA.com, Inc. will return product to the customer via ground freight. International customers are responsible for the freight charges both ways, including customs, duties and taxes.

How to Get Service:

To obtain service warranty, you will be required to provide the following:

1. The original dated invoice
2. Your name
3. Your address
4. A description of the problem
5. The part number and color

For information about receiving service under warranty, contact ICW Customer Support at 1-800-558-4435 or sales@icwusa.com.

Return Policy

Thank you for purchasing your ICW mounting products. If you are not satisfied with your order, you may return the product(s) within 90 days of the date of invoice with a minimum 20% restocking fee.

Orders over 10 mounts are not returnable unless approved on an order-by-order basis. All returns are subject to a repair fee based on the condition of the returned product.

No returns on custom modified products or OEM (original equipment manufacturers) units.

Customers must request a Return Merchandise Authorization (RMA) from ICW by phone. Please call ICW at 800-558-4435 between the hours of 6:00 a.m. - 4:00 p.m. Pacific Time.

Be prepared with the following information:

- Invoice number, Sales Order number, or Purchase Order number
- Part number(s) and product(s) being returned
- Detailed explanation of reason for return
- Name of the person who ordered the product, their phone number, and email address
- Name of a user of the product, their phone number and email address

Please follow these instructions to return your product:

1. **RMAs must be obtained within 90 days of the date of invoice.**
 - No return requests will be granted for discontinued products or custom modified products, including custom paint or coating without prior approval

2. **Return authorization will be confirmed by e-mail** and will include a Return Merchandise Authorization label provided by ICW that is to be inserted into the packaging and attached to the outside of the packaging.
 - Merchandise must be returned in the original packaging
 - Merchandise must prominently display the RMA number on the outside of the packaging
 - Package must contain a signed copy of the RMA with the product
 - Customer is responsible for return freight costs and any damages caused in shipping
 - ICW must receive the product within 15 days from the issue date of the RMA to ensure proper credit
3. **Unauthorized returns** or any returned merchandise that does not have an RMA number will be quarantined. Quarantined product will be returned to the customer at the customer's expense. Quarantined product not picked up within 15 days of notification will be recycled, no credit will be issued.
4. **Regularly stocked ICW products that are returned within 90 days** from the date of invoice will be charged a minimum 20% restocking fee. No returns for products over 90 days. Additional fees for damaged product or parts that need rework may also apply.



Kingsley Facility

About ICWUSA.com

ICW, which is a subsidiary company of TouchPoint Medical, designs, engineers and manufactures on-site in its facilities located in Medford, Oregon. We produce elite-quality, medical-grade, professional mounting systems for computer equipment and other instruments for healthcare, dental, clean room and manufacturing/industrial markets. ICW's flexible, onsite manufacturing process enables the company to quickly respond to customer needs.

Our Products



Grumman Facility



CUSTOM SOLUTIONS · ERGONOMIC COMFORT · DURABLE CONSTRUCTION · SOLID SUPPORT

1-877-770-3154

1487 Kingsley Drive, Medford, Oregon USA 97504

Outside US: 541-608-2824 | Fax: 541-608-2797

