

Ideal for monitor viewing, this LCD arm can be positioned with one hand



50° screen tilt at ball joint

6 WAY TILT & ROTATE

360° swivel

Extension pipe options available in four lengths. See reverse side.

Adjustable rotation stops protect your equipment and facility

360° arm swivel

Internal cable management creates a neater appearance, protects wires, simplifies cleaning

Compact ball joint provides monitor tilt and pivot

Ceiling mount frees up precious wall space.

- The Single Arm Elite with Quicklink was designed to support up to 28 lbs (12.7 kg) while moving with a feather-light touch.
- It features 90° of tilt at each joint with the Quicklink push button adjustment and 50° monitor tilt and pivot at its compact ball joint.
- The Single Arm Elite is fully cable managed, gas spring assisted, and provides up to 21" of vertical and horizontal adjustment from mount to monitor, along with 360° of rotation.

Monitor not included

Vertical Adjust	Screen Swivel	Maximum Reach	Arm Swivel
21" (53.34 cm)	360°	27" (68.58 cm)	360°

- Load capacity: 28 lbs (12.7 kg)
- Lift distance: 21" (53.34 cm)
- Maximum reach: 27" (68.58 cm)
- Arm swivel at mount: 360°
- Screen swivel: 360°
- Screen tilt: 50°
- VESA interface: 75 mm and 100 mm

Need a custom solution? Contact your ICW Rep for more information.

- Conceals cables
- Counter-balanced vertical stowability
- Adjustable arm tension
- 2 year manufacturer warranty

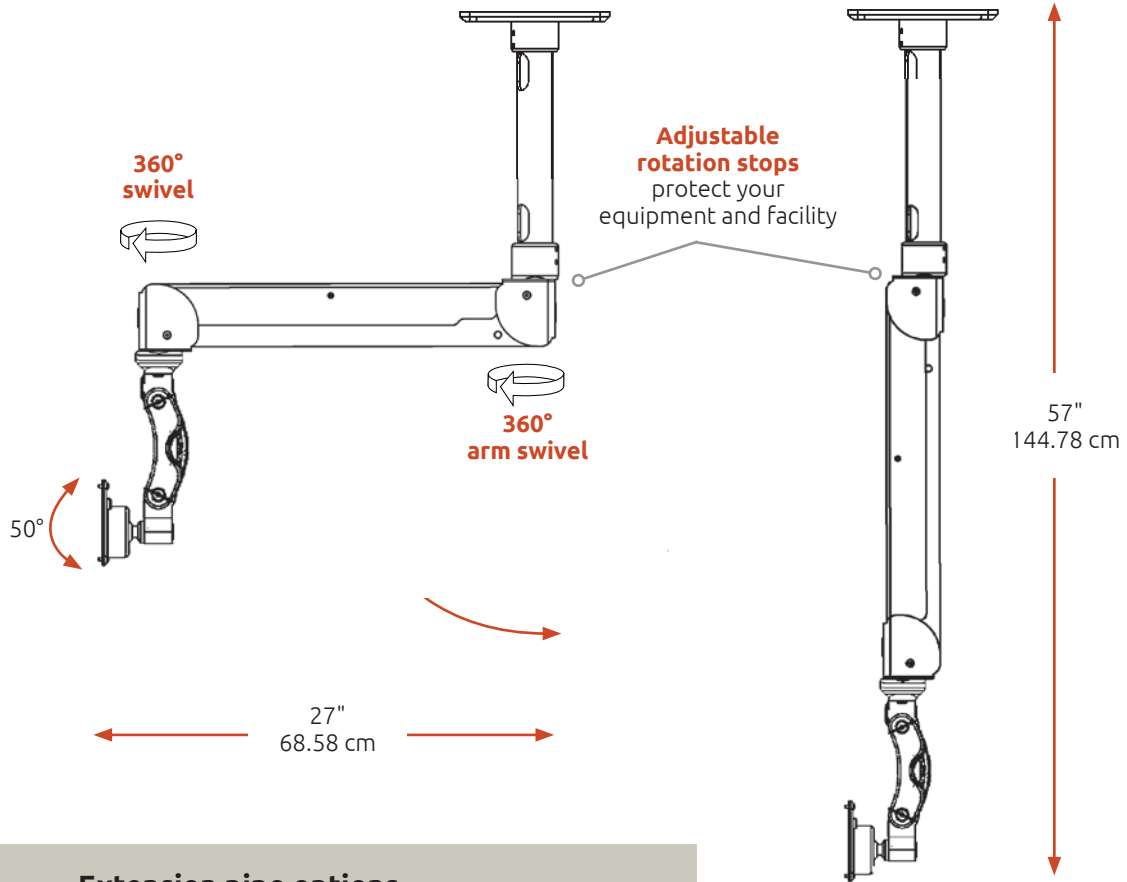
Select a color

Specify one of our durable powder coating finishes with your order:

Gloss White (MW), Writable Black (WB), A-dec Tan (T), Pelton Putty (P), and Quartz Gray (QG)



Range of Motion and Dimensional Drawings



Extension pipe options available in four lengths

