

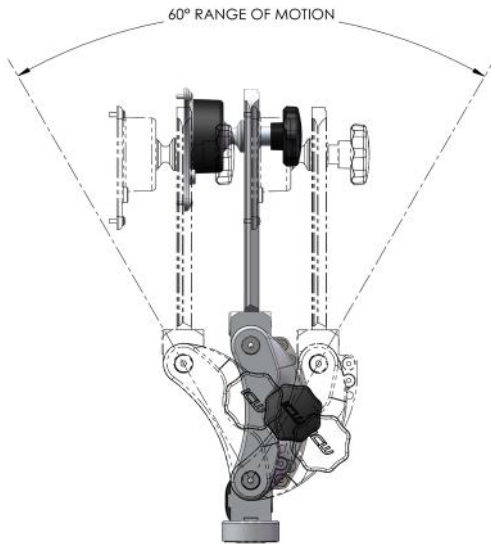
# ICWUSA.com Innovations Bulletin



The purpose of the ICW Product Bulletin is to share interesting solutions using ICW products. Watch for new bulletins by issue number and date. Past issues are available on our website: [www.icwusa.com/product-bulletins/](http://www.icwusa.com/product-bulletins/)

## Add Versatility to Your Workstation with the Paralink

### Paralink Movement



One of ICWUSA.com's most popular accessories, the multipurpose paralink, connects two surfaces and uses both of its joints to provide tilt to either side independent of one another all while maintaining movement parallel to the surface the paralink is attached to (movement shown above).

The paralink, which most commonly attaches to the backs of monitors and keyboards, allows for ergonomic adjustment without changing the tilt or angle of the monitor or keyboard to fit the comfort of the user.

Pictured to the right, the paralink is shown used in several situations and can be used in a variety of other applications.

For more information, contact your friendly ICW product specialist by emailing [sales@icwusa.com](mailto:sales@icwusa.com) or calling 1-800-558-4435.



Shown above on a common ELP5216 configuration, the paralink connects the monitor to the mount.



This mount attaches paralinks to both the monitor and keyboard, providing optional adjustment at four joints.



Workstation In Use



Workstation Stowed/Concealed

In a work area with limited space, the paralink is used with our under-desk keyboard mount configuration to help conceal the keyboard when it is stowed.



Shown above, a lifeguard tower telescope attaches to a paralink for additional freedom of movement.



Shown above is a unique configuration using paralinks.



Call 1-800-558-4435 | Explore our websites:  
[www.icwusa.com](http://www.icwusa.com) | [www.icwdental.com](http://www.icwdental.com) | [www.icwhealthcare.com](http://www.icwhealthcare.com)